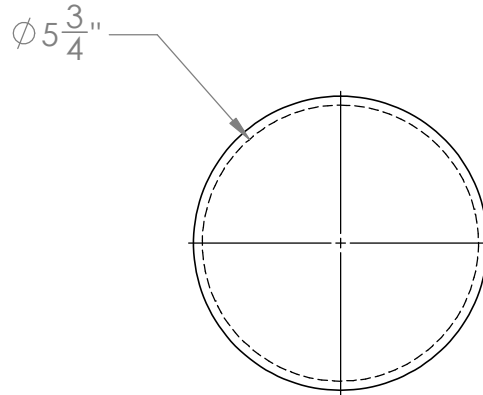
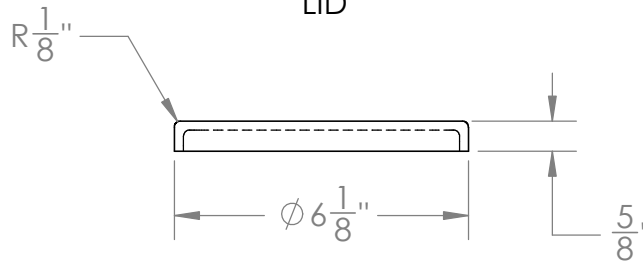
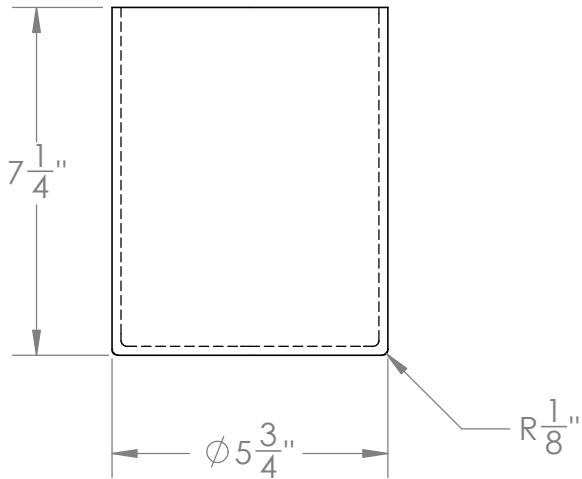
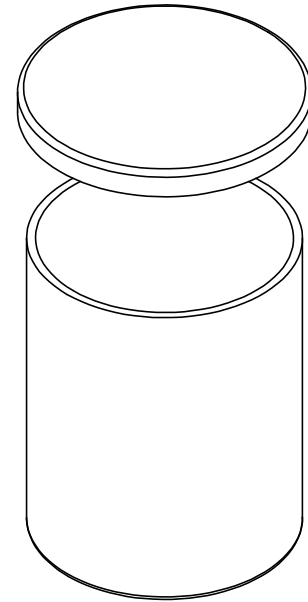


CROCK



LID



Molded Polyethylene
Crock w/ Cover #10101



1390 Neubrecht Road
Lima, Ohio 45801

STOCK NO.

10101

REV

A

DO NOT SCALE DRAWING

WEIGHT: 1 lbs.

DIMENSIONS ARE IN INCHES TOLERANCE: $\pm 1/4''$		NAME	DATE
MATERIAL	LLDPE - FDA resin	DRAWN	CDH 06/14/16
CAPACITY	3/4 US gal.	APPROVED	BAT 07/14/16
GRADUATIONS	NO	COMMENTS: Translucent UV Stabilized	
NOMINAL WALL THICKNESS	3/16"		

PROPRIETARY AND CONFIDENTIAL
THE INFORMATION CONTAINED IN THIS DRAWING IS THE SOLE PROPERTY OF TAMCO. ANY REPRODUCTION IN PART OR AS A WHOLE WITHOUT THE WRITTEN PERMISSION OF TAMCO IS PROHIBITED.

MAX. OPERATING TEMP. 140°F
INTERMITTENT SERVICE TO 160°F
SEE CHEMICAL RESISTANCE
CHART FOR COMPATIBILITY