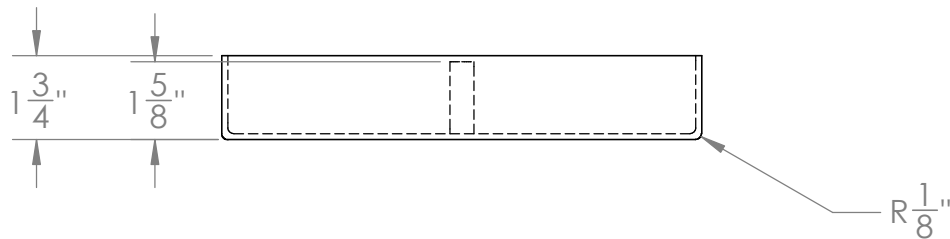
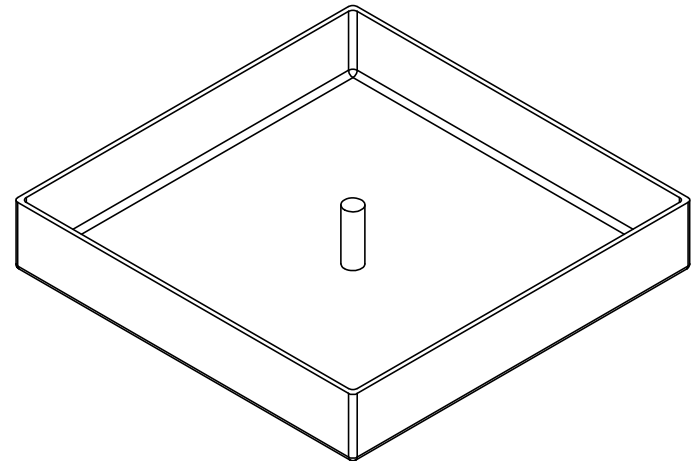
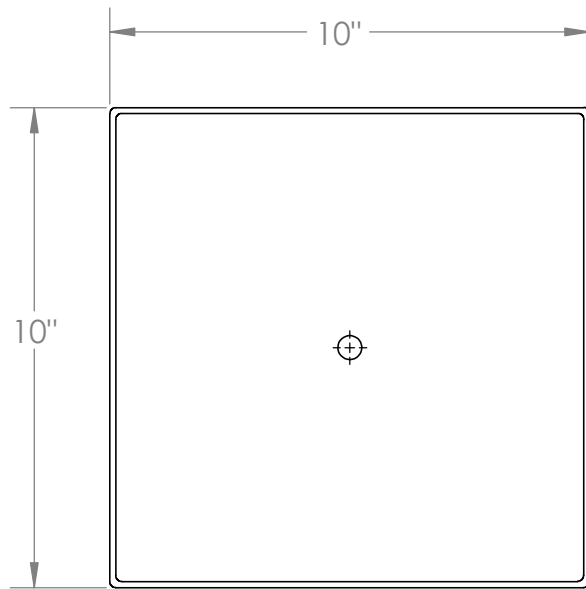


Catalog options:
 Tank #10114, #10115, #10116, #10117, #10901



Polyethylene Floating
 Tank Cover #10243



1390 Neubrecht Road
 Lima, Ohio 45801

STOCK NO. **10243** REV **A**

DO NOT SCALE DRAWING

WEIGHT: 1 lbs.

DIMENSIONS ARE IN INCHES TOLERANCE: ± 1/4"		NAME	DATE
MATERIAL	LLDPE - FDA resin	DRAWN	CDH 06/24/16
		APPROVED	BAT 07/14/16
CAPACITY	N/A	COMMENTS: Translucent UV Stabilized	
GRADUATIONS	N/A		
NOMINAL WALL THICKNESS	1/8"		

PROPRIETARY AND CONFIDENTIAL
 THE INFORMATION CONTAINED IN THIS
 DRAWING IS THE SOLE PROPERTY OF
 TAMCO. ANY REPRODUCTION IN PART
 OR AS A WHOLE WITHOUT THE WRITTEN
 PERMISSION OF TAMCO IS PROHIBITED.

MAX. OPERATING TEMP. 140°F
 INTERMITTENT SERVICE TO 160°F
 SEE CHEMICAL RESISTANCE
 CHART FOR COMPATIBILITY