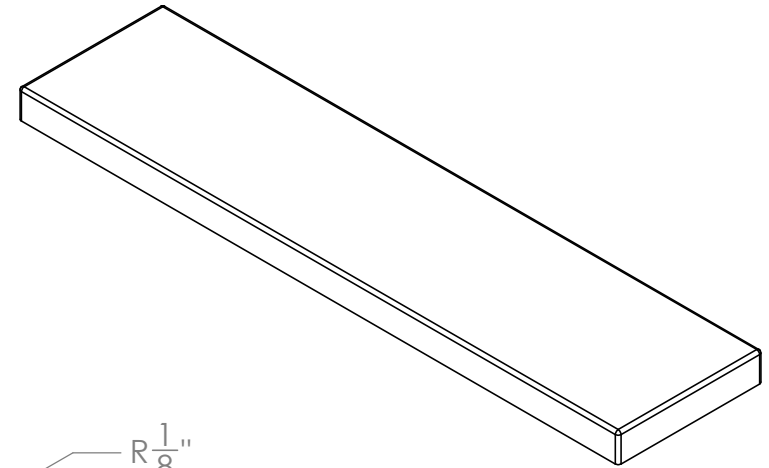
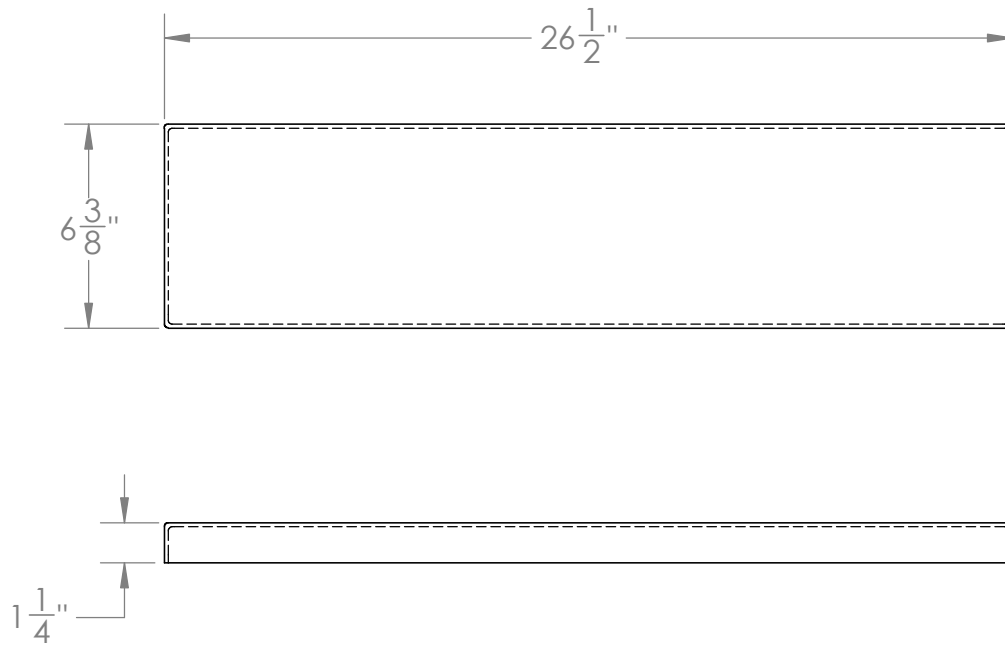


Catalog options:
Tank #11092



Polyethylene
Tank Cover #11102



1390 Neubrecht Road
Lima, Ohio 45801

| | | | |
|-----------|-------|-----|---|
| STOCK NO. | 11102 | REV | A |
|-----------|-------|-----|---|

DO NOT SCALE DRAWING

WEIGHT: 1 lbs.

| | | | |
|---|-------------------|---|--------------|
| DIMENSIONS ARE IN INCHES TOLERANCE: ± 1/4" | | NAME | DATE |
| MATERIAL | LLDPE - FDA resin | DRAWN | CDH 06/24/16 |
| CAPACITY | | APPROVED | BAT 07/14/16 |
| GRADUATIONS | N/A | COMMENTS: Translucent UV Stabilized | |
| NOMINAL WALL THICKNESS | 1/8" | | |

PROPRIETARY AND CONFIDENTIAL
THE INFORMATION CONTAINED IN THIS DRAWING IS THE SOLE PROPERTY OF TAMCO. ANY REPRODUCTION IN PART OR AS A WHOLE WITHOUT THE WRITTEN PERMISSION OF TAMCO IS PROHIBITED.

MAX. OPERATING TEMP. 140°F
INTERMITTENT SERVICE TO 160°F
SEE CHEMICAL RESISTANCE
CHART FOR COMPATABILITY