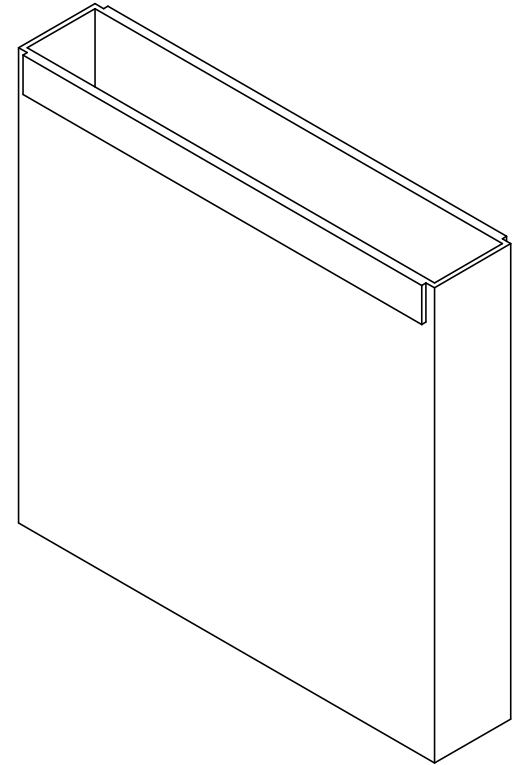
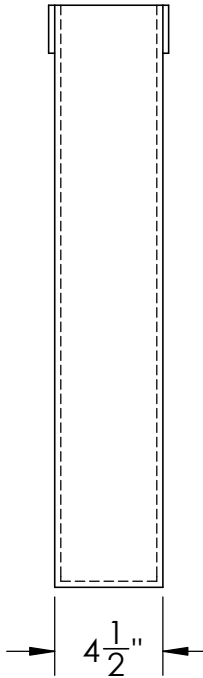
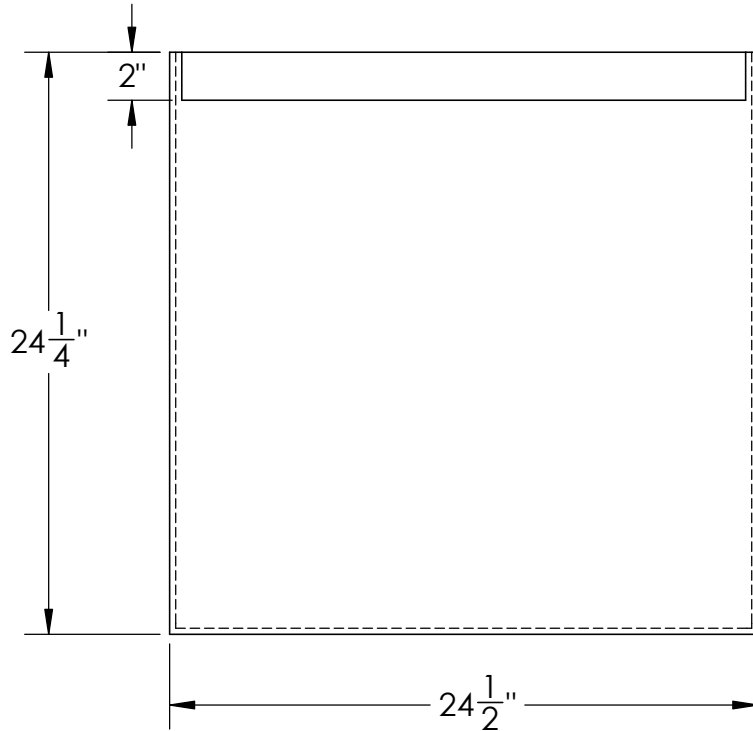
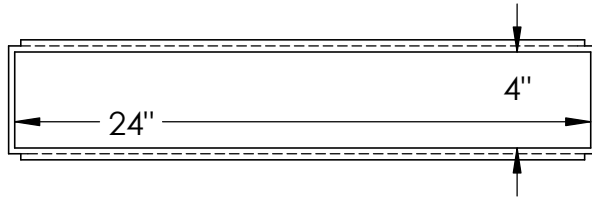


Catalog Options:
Cover #11073



Polypropylene Tank
#11244



1390 Neubrecht Road
Lima, Ohio 45801

STOCK NO. **11244** REV **A**

DO NOT SCALE DRAWING

WEIGHT: 12.4 lbs.

DIMENSIONS ARE IN INCHES TOLERANCE: ± 1/4"		NAME	DATE
MATERIAL POLYPROPYLENE		DRAWN CDH	07/06/16
CAPACITY 10 US gal.		APPROVED BAT	07/14/16
GRADUATIONS NO		COMMENTS: Welded Construction	
NOMINAL WALL THICKNESS 1/4"			

PROPRIETARY AND CONFIDENTIAL
THE INFORMATION CONTAINED IN THIS DRAWING IS THE SOLE PROPERTY OF TAMCO. ANY REPRODUCTION IN PART OR AS A WHOLE WITHOUT THE WRITTEN PERMISSION OF TAMCO IS PROHIBITED.

MAX. OPERATING TEMP. 200°F
SEE CHEMICAL RESISTANCE
CHART FOR COMPATABILITY