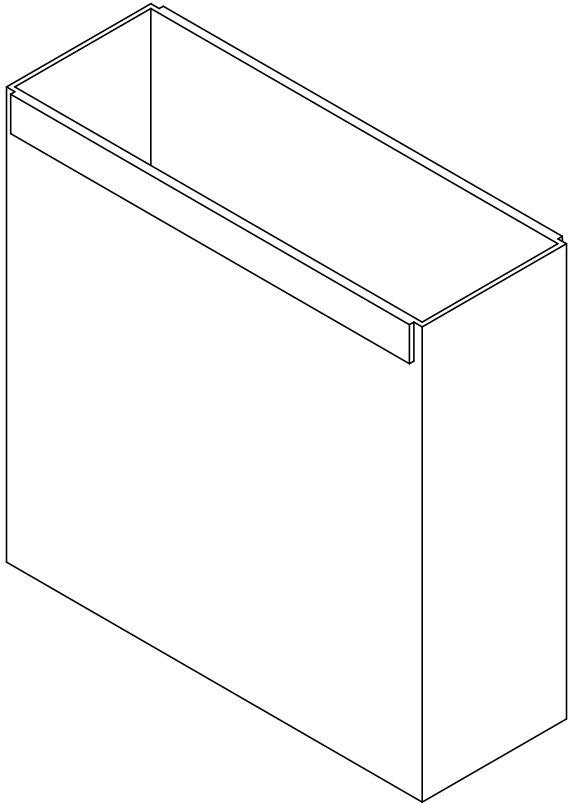
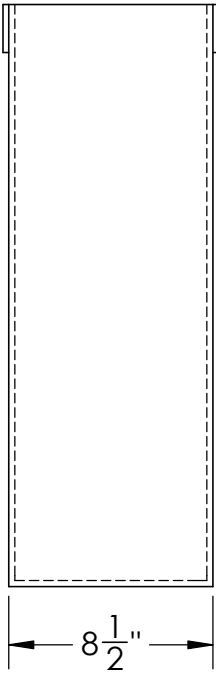
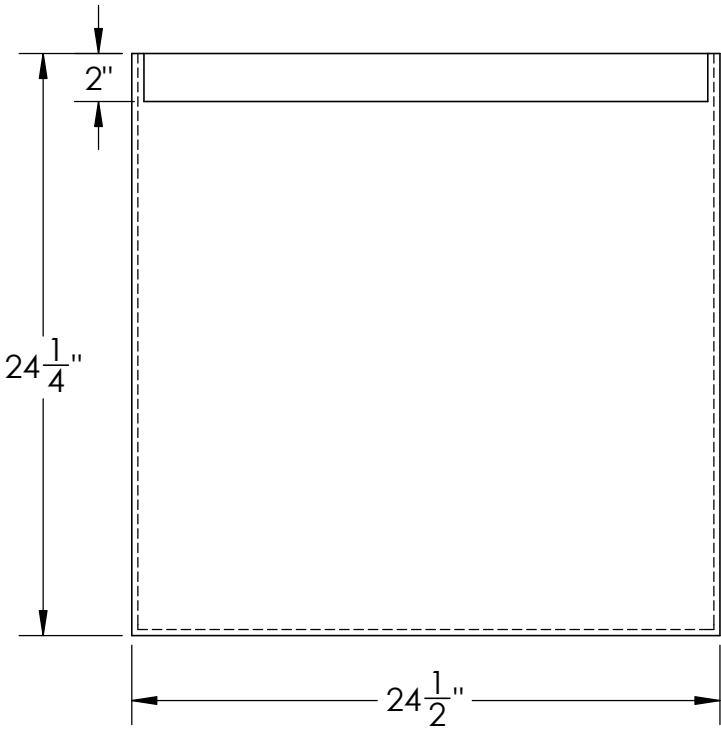
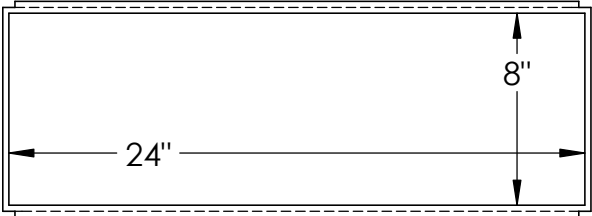


Catalog Options:  
Cover #11076



Polypropylene Tank  
#11250



1390 Neubrecht Road  
Lima, Ohio 45801

STOCK NO. **11250** REV **A**

DO NOT SCALE DRAWING WEIGHT: 19.6 lbs.

DIMENSIONS ARE IN INCHES TOLERANCE: ± 1/4"		NAME	DATE
MATERIAL POLYPROPYLENE	CAPACITY 19 US gal.	DRAWN CDH	07/06/16
	GRADUATIONS NO	APPROVED BAT	07/14/16
NOMINAL WALL THICKNESS 1/4"	COMMENTS:  Welded Construction		

**PROPRIETARY AND CONFIDENTIAL**  
THE INFORMATION CONTAINED IN THIS DRAWING IS THE SOLE PROPERTY OF TAMCO. ANY REPRODUCTION IN PART OR AS A WHOLE WITHOUT THE WRITTEN PERMISSION OF TAMCO IS PROHIBITED.

MAX. OPERATING TEMP. 200°F  
SEE CHEMICAL RESISTANCE CHART FOR COMPATABILITY