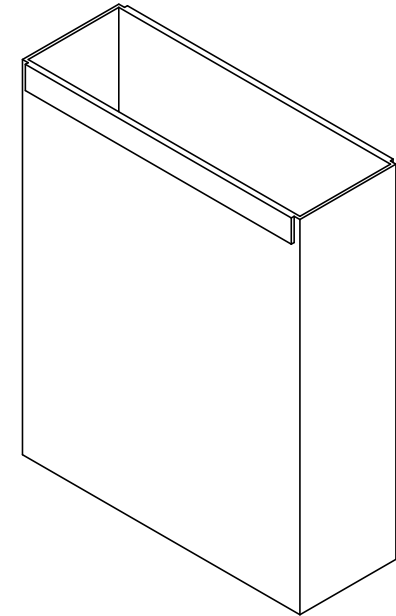
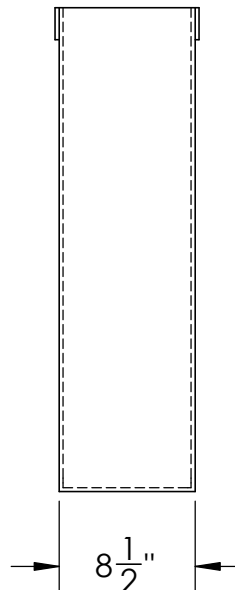
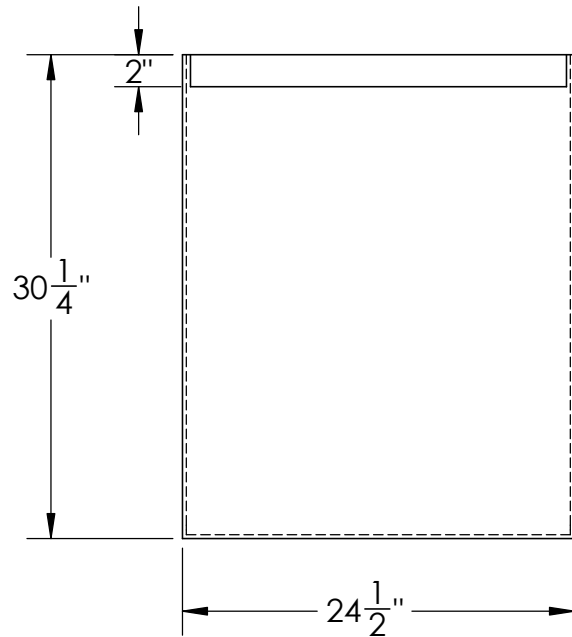
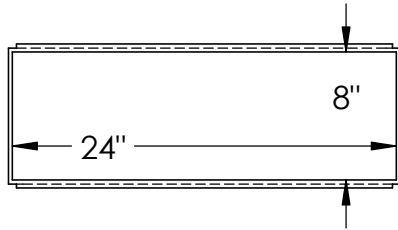


Catalog Options:
Cover #11076



Polypropylene Tank
#11252



1390 Neubrecht Road
Lima, Ohio 45801

STOCK NO.	11252	REV	A
-----------	-------	-----	---

DO NOT SCALE DRAWING

WEIGHT: 23 lbs.

DIMENSIONS ARE IN INCHES TOLERANCE: ± 1/4"		NAME	DATE
MATERIAL	POLYPROPYLENE	DRAWN	CDH 07/06/16
		APPROVED	BAT 07/14/16
CAPACITY	24 US gal.	COMMENTS: Welded Construction	
GRADUATIONS	NO		
NOMINAL WALL THICKNESS	1/4"		

PROPRIETARY AND CONFIDENTIAL
THE INFORMATION CONTAINED IN THIS DRAWING IS THE SOLE PROPERTY OF TAMCO. ANY REPRODUCTION IN PART OR AS A WHOLE WITHOUT THE WRITTEN PERMISSION OF TAMCO IS PROHIBITED.

MAX. OPERATING TEMP. 200°F
SEE CHEMICAL RESISTANCE CHART FOR COMPATABILITY