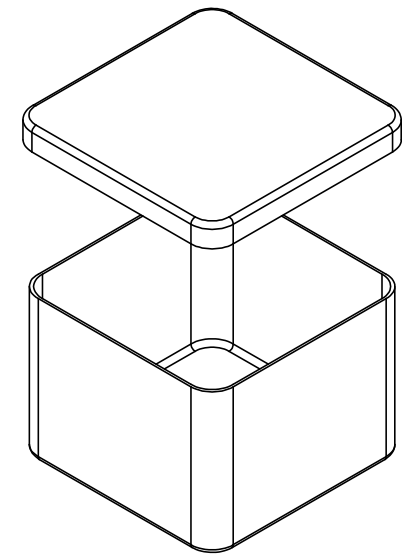
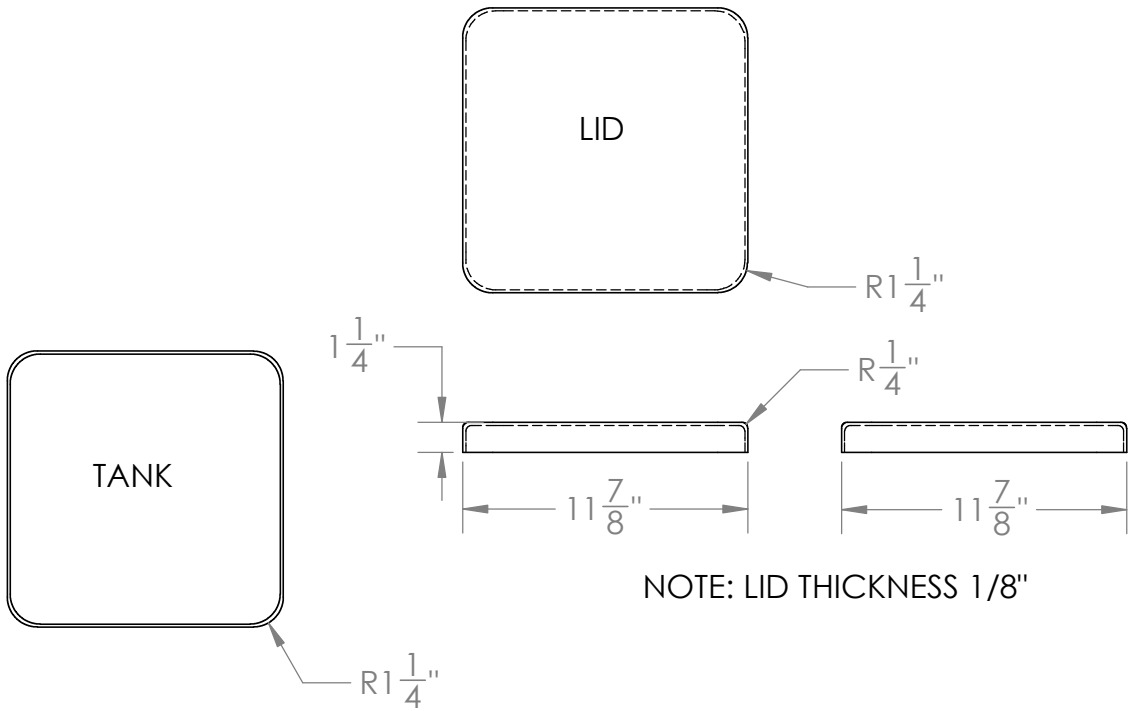
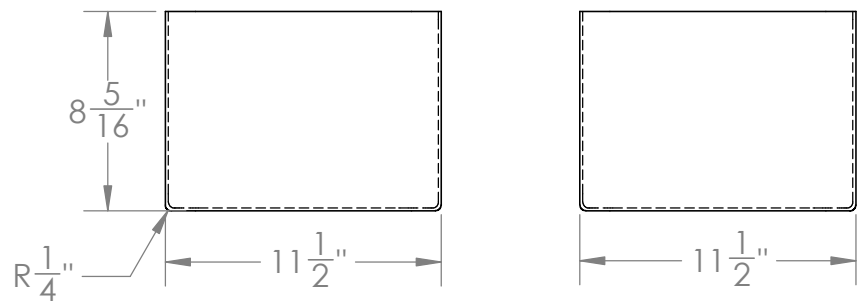


Catalog option:
Floating cover #10243



NOTE: LID THICKNESS 1/8"



Heavy Duty Polyethylene
Chemical Storage Tank
w/ Cover #14171



PROPRIETARY AND CONFIDENTIAL
THE INFORMATION CONTAINED IN THIS DRAWING IS THE SOLE PROPERTY OF TAMCO. ANY REPRODUCTION IN PART OR AS A WHOLE WITHOUT THE WRITTEN PERMISSION OF TAMCO IS PROHIBITED.

MAX. OPERATING TEMP. 140°F
INTERMITTENT SERVICE TO 160°F
SEE CHEMICAL RESISTANCE CHART FOR COMPATIBILITY

DIMENSIONS ARE IN INCHES TOLERANCE: ± 1/4"		NAME	DATE
MATERIAL	LLDPE - FDA resin	DRAWN	CDH 06/13/16
CAPACITY	5 US gal.	APPROVED	BAT 07/14/16
GRADUATIONS	NO	COMMENTS: Translucent UV Stabilized	
NOMINAL WALL THICKNESS	1/4"		

STOCK NO.	14171	REV	A
DO NOT SCALE DRAWING		WEIGHT: 5 lbs.	