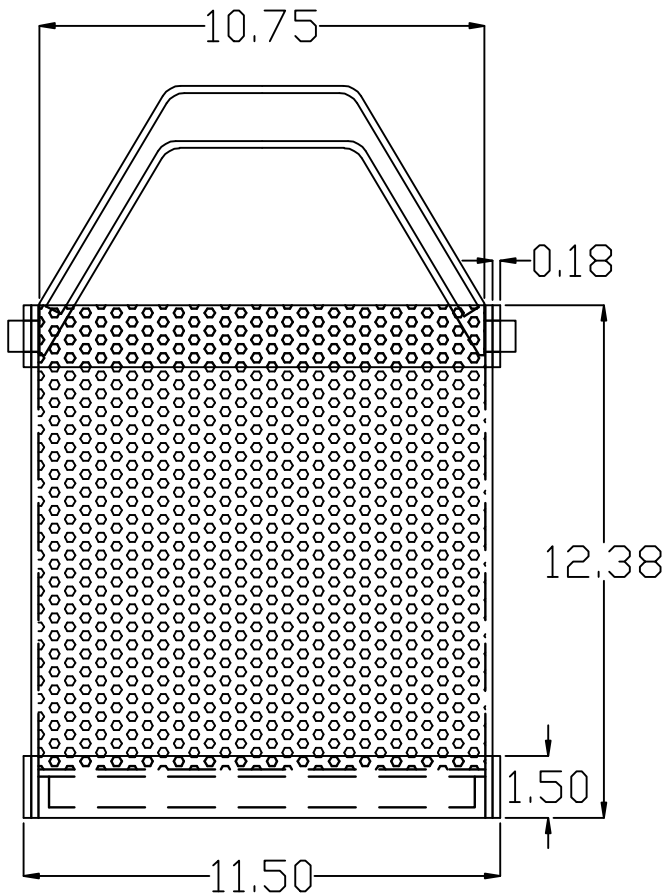
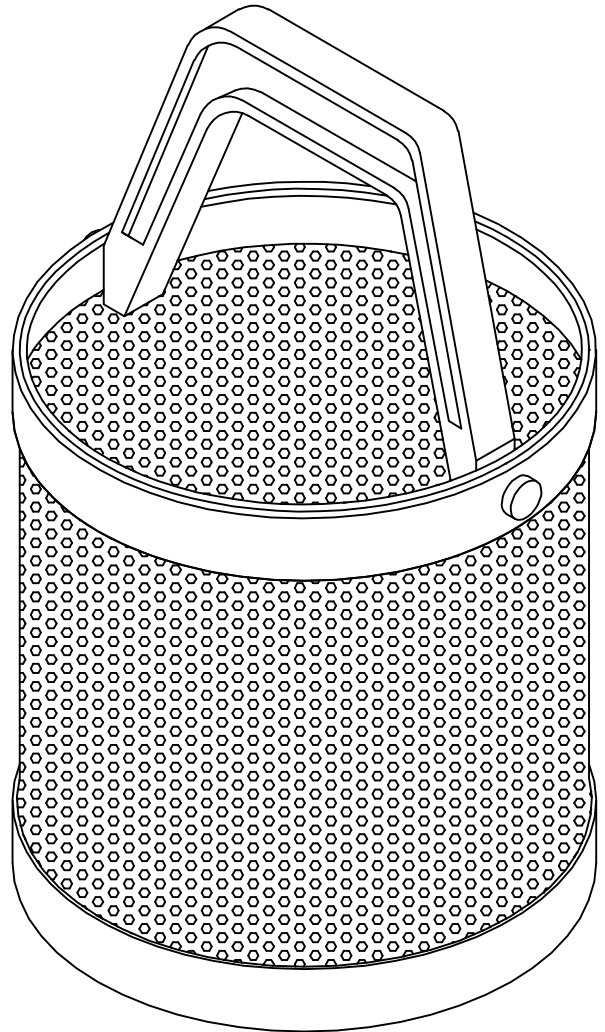
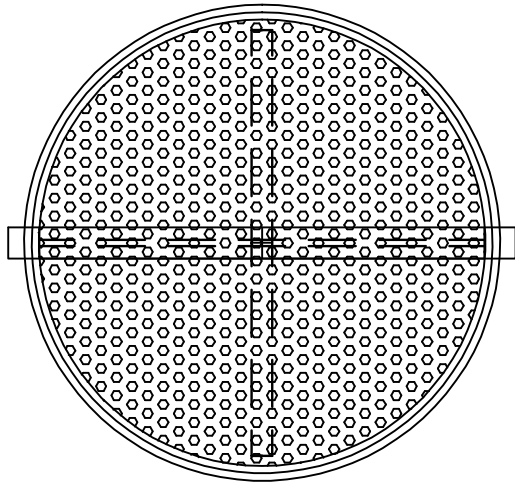


For Handle  
Specs See  
Drawing #970104



Max. operating temp. 200° F.

Polyethylene not recommended chromic or nitric acids. See chemical resistance chart for compatibility.

DIMENSIONS ARE IN INCHES  
TOLERANCES:  
FRACTIONAL ± 1/8  
ANGULAR: MACH ± BEND ±  
TWO PLACE DECIMAL ±  
THREE PLACE DECIMAL ±

	NAME	DATE
DRAWN	TNH	09/08/08
CHECKED		
ENG APPR.		
MFG APPR.		
Q.A.		

PROPRIETARY AND CONFIDENTIAL  
THE INFORMATION CONTAINED IN THIS DRAWING IS THE SOLE PROPERTY OF TAMCO. ANY REPRODUCTION IN PART OR AS A WHOLE WITHOUT THE WRITTEN PERMISSION OF TAMCO IS PROHIBITED

MATERIAL  
POLYPROPYLENE  
FINISH ---  
DO NOT SCALE DRAWING

COMMENTS:  
3/16 PERFORATION  
NOT ACTUAL SIZE

12"X12" DIPPING BASKET

**TAMCO INDUSTRIES**  
Tank Manufacturing and Fabrication  
1390 Neubrecht Road  
Lima, Ohio 45801

SIZE STOCK NO.	#14208	REV.
A		
SCALE: none	WEIGHT:	SHEET 1 OF 1