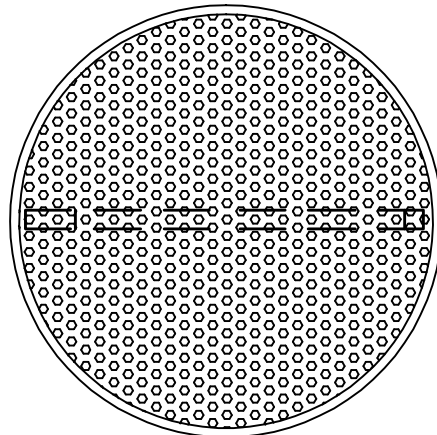
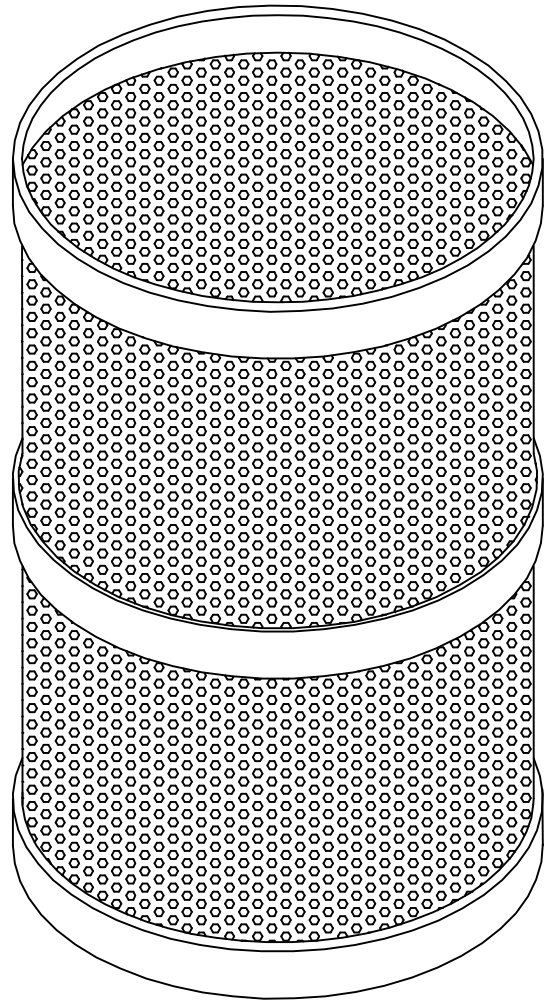
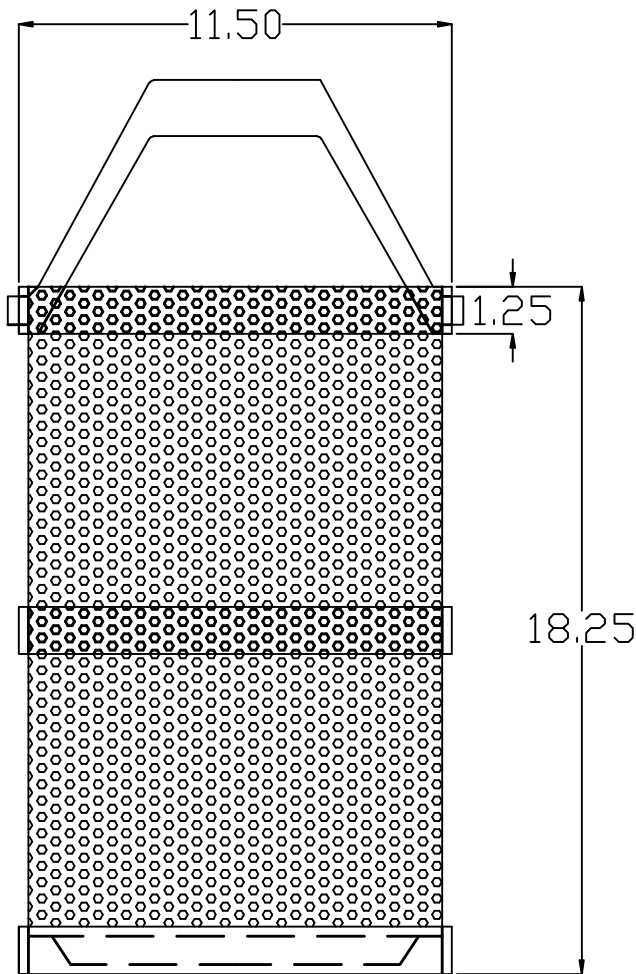


For Handle  
Specs See  
Drawing #970104



Max. operating temp. 200° F.

Polyethylene not recommended chromic or nitric acids. See chemical resistance chart for compatibility.

PROPRIETARY AND CONFIDENTIAL  
THE INFORMATION CONTAINED IN THIS DRAWING IS THE SOLE PROPERTY OF TAMCO. ANY REPRODUCTION IN PART OR AS A WHOLE WITHOUT THE WRITTEN PERMISSION OF TAMCO IS PROHIBITED

DIMENSIONS ARE IN INCHES  
TOLERANCES:  
FRACTIONAL ± 1/8  
ANGULAR: MACH ± BEND ±  
TWO PLACE DECIMAL ±  
THREE PLACE DECIMAL ±

MATERIAL  
POLYPROPYLENE  
FINISH --  
DO NOT SCALE DRAWING

	NAME	DATE
DRAWN	TNH	XX/XX/XX
CHECKED		
ENG APPR.		
MFG APPR.		
Q.A.		

COMMENTS:  
 $\frac{3}{32}$  PERFORATION  
NOT ACTUAL  
SIZE

12"X18" DIPPING BASKET

**TAMCO INDUSTRIES**  
Tank Manufacturing and Fabrication

1390 Neubrecht Road  
Lima, Ohio 45801

SIZE/STOCK NO.	#14215	REV.
A		
SCALE: none	WEIGHT:	SHEET 1 OF 1