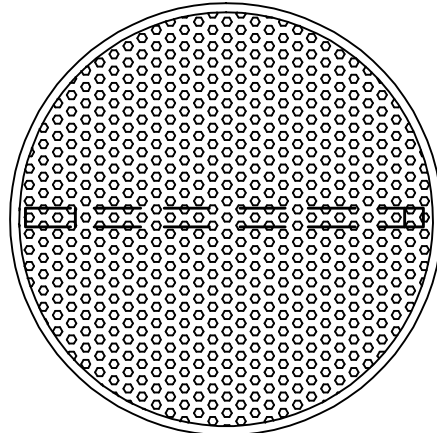
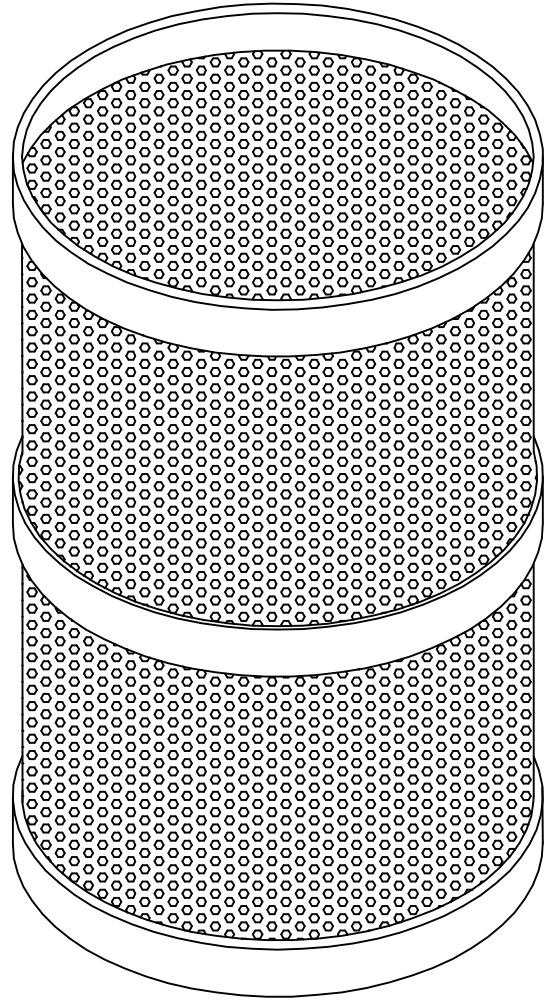
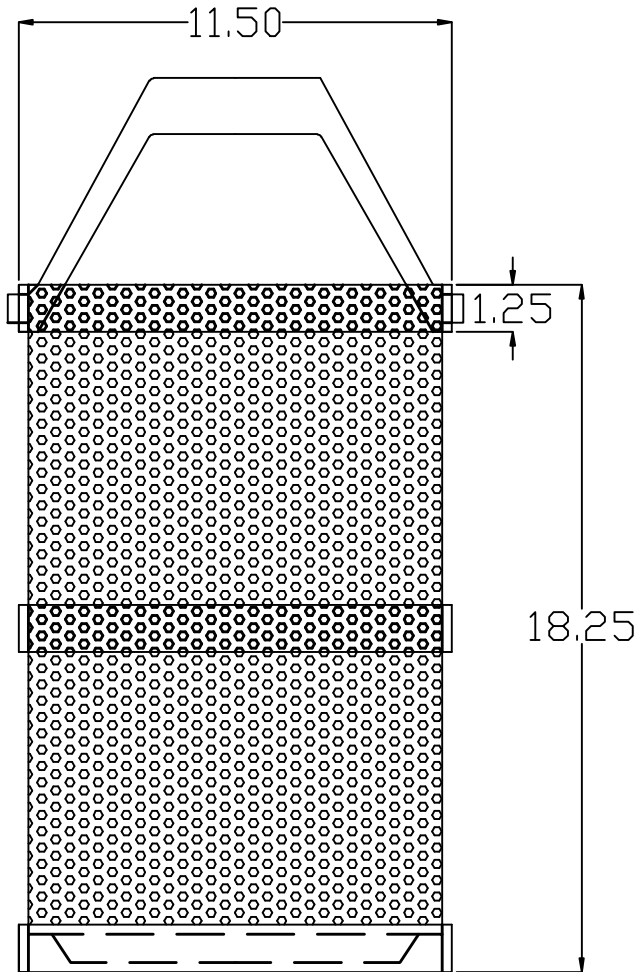


For Handle
Specs See
Drawing #970104



Max. operating temp. 200° F.

Polyethylene not recommended chromic or nitric acids. See chemical resistance chart for compatibility.

PROPRIETARY AND CONFIDENTIAL
THE INFORMATION CONTAINED IN THIS DRAWING IS THE SOLE PROPERTY OF TAMCO. ANY REPRODUCTION IN PART OR AS A WHOLE WITHOUT THE WRITTEN PERMISSION OF TAMCO IS PROHIBITED

DIMENSIONS ARE IN INCHES
TOLERANCES:
FRACTIONAL ± 1/8
ANGULAR: MACH ± BEND ±
TWO PLACE DECIMAL ±
THREE PLACE DECIMAL ±

MATERIAL
POLYPROPYLENE
FINISH --
DO NOT SCALE DRAWING

| | NAME | DATE |
|-----------|------|----------|
| DRAWN | TNH | 02/20/08 |
| CHECKED | | |
| ENG APPR. | | |
| MFG APPR. | | |
| Q.A. | | |

COMMENTS:
 $\frac{3}{16}$ PERFORATION
NOT ACTUAL
SIZE

12"X18" DIPPING BASKET

TAMCO INDUSTRIES
Tank Manufacturing and Fabrication
1390 Neubrecht Road
Lima, Ohio 45801

| | | |
|----------------|---------|--------------|
| SIZE/STOCK NO. | #14216 | REV. |
| A | | |
| SCALE: none | WEIGHT: | SHEET 1 OF 1 |