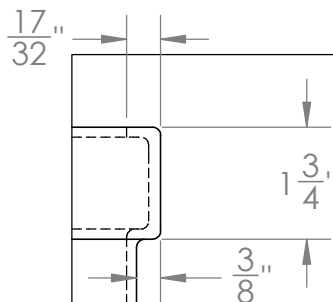
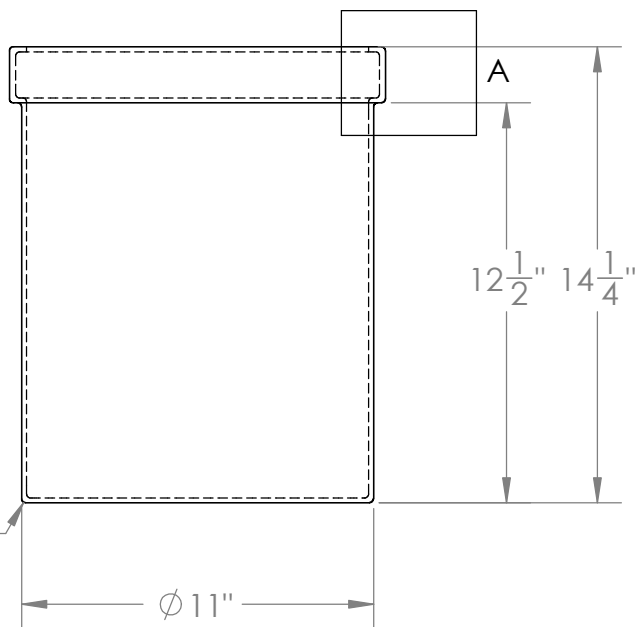
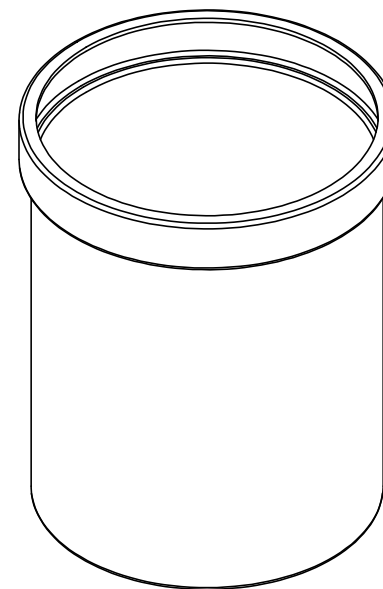


Catalog options:
Cover #3006, Floating Cover #3011, Tank Stand #5060



DETAIL A



ALL FILLETS AND
ROUNDS R $\frac{1}{8}$ "

Standard Weight Polyethylene
Storage Tank
w/ External Flange #3001



1390 Neubrecht Road
Lima, Ohio 45801

DIMENSIONS ARE IN INCHES TOLERANCE: $\pm 1/4$ "		NAME	DATE
MATERIAL	LLDPE - FDA resin	DRAWN	CDH 06/09/16
CAPACITY	5 US gal.	APPROVED	BAT 07/14/16
GRADUATIONS	1/2 gal.	COMMENTS:	
NOMINAL WALL THICKNESS	5/32"	Translucent UV Stabilized	

STOCK NO.	3001	REV	A
DO NOT SCALE DRAWING		WEIGHT: 3 lbs.	

PROPRIETARY AND CONFIDENTIAL
THE INFORMATION CONTAINED IN THIS DRAWING IS THE SOLE PROPERTY OF TAMCO. ANY REPRODUCTION IN PART OR AS A WHOLE WITHOUT THE WRITTEN PERMISSION OF TAMCO IS PROHIBITED.

MAX. OPERATING TEMP. 140°F
INTERMITTENT SERVICE TO 160°F
SEE CHEMICAL RESISTANCE CHART FOR COMPATIBILITY