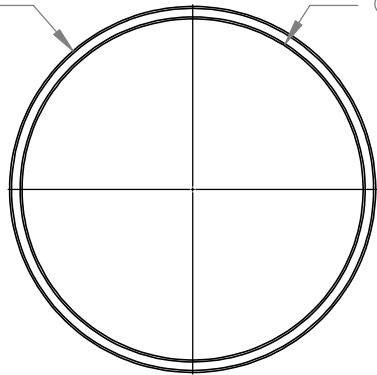
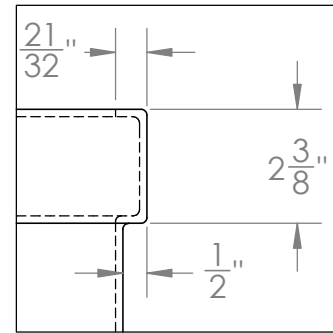


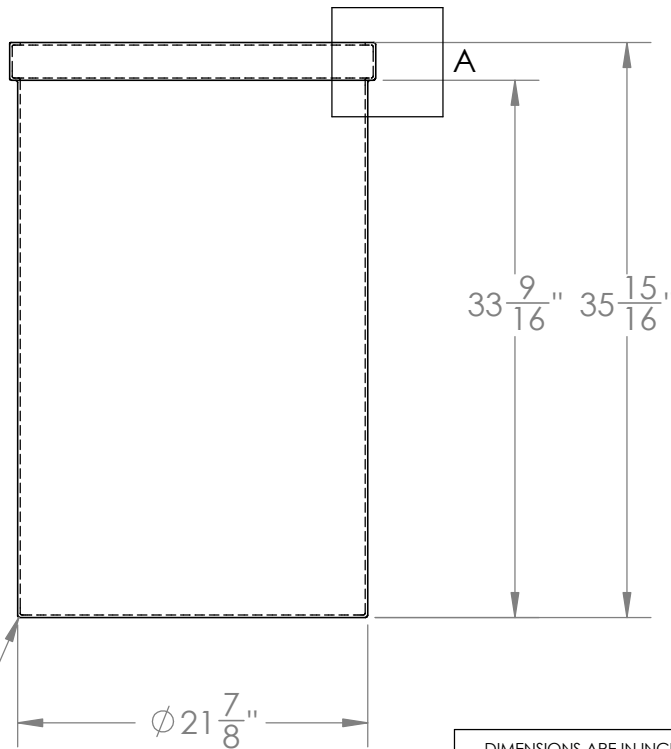
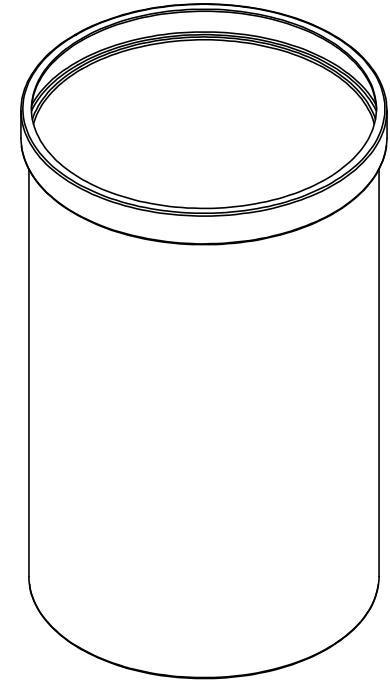
$\phi 22 \frac{7}{8}$ " $\phi 21 \frac{9}{16}$ "



Catalog options:
Cover #3023, Floating Cover #3015, Tank Stand #5062



DETAIL A



ALL FILLETS AND
ROUNDS R $\frac{1}{8}$ "

Standard Weight Polyethylene
Storage Tank
w/ External Flange #3004



1390 Neubrecht Road
Lima, Ohio 45801

STOCK NO.

3004

REV

A

DO NOT SCALE DRAWING

WEIGHT: 14 lbs.

DIMENSIONS ARE IN INCHES
TOLERANCE: $\pm 1/4$ "

MATERIAL
LLDPE - FDA resin

CAPACITY
55 US gal.

GRADUATIONS
2-1/2 gal.

NOMINAL WALL THICKNESS
5/32"

	NAME	DATE
DRAWN	CDH	06/09/16
APPROVED	BAT	07/14/16

COMMENTS:

Translucent
UV Stabilized

PROPRIETARY AND CONFIDENTIAL

THE INFORMATION CONTAINED IN THIS
DRAWING IS THE SOLE PROPERTY OF
TAMCO. ANY REPRODUCTION IN PART
OR AS A WHOLE WITHOUT THE WRITTEN
PERMISSION OF TAMCO IS PROHIBITED.

MAX. OPERATING TEMP. 140°F
INTERMITTENT SERVICE TO 160°F
SEE CHEMICAL RESISTANCE
CHART FOR COMPATIBILITY