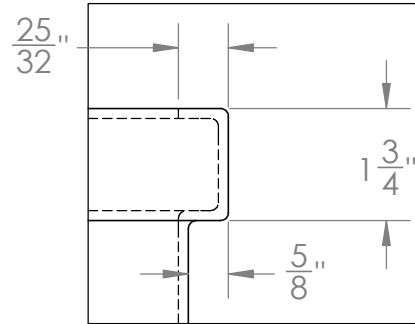
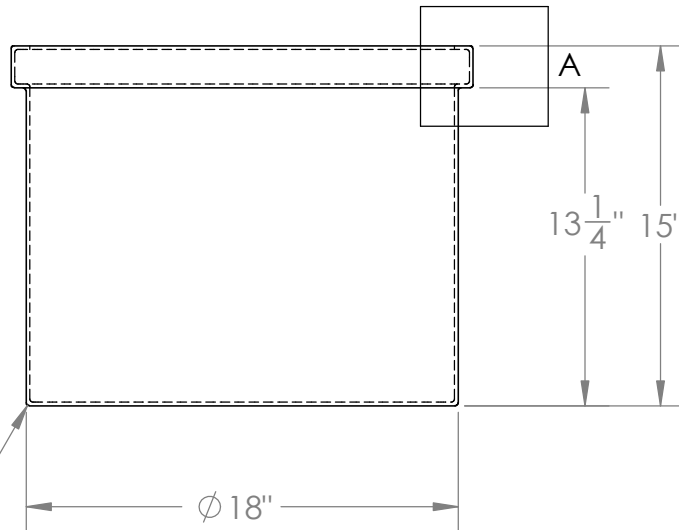
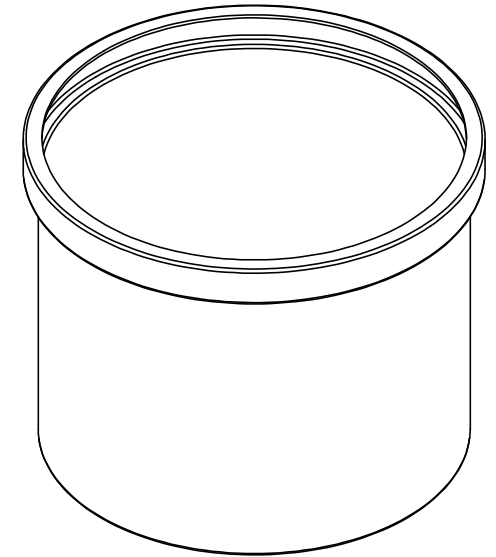


Catalog options:
Cover #3021, Floating Cover #3014, Tank Stand #5061



DETAIL A



ALL FILLETS AND
ROUNDS R $\frac{1}{8}$ "

Standard Weight Polyethylene
Storage Tank
w/ External Flange #3010



1390 Neubrecht Road
Lima, Ohio 45801

DIMENSIONS ARE IN INCHES
TOLERANCE: $\pm 1/4$ "

MATERIAL
LLDPE - FDA resin

CAPACITY
17 US gal.

GRADUATIONS
2 gal.

NOMINAL WALL THICKNESS
5/32"

| | NAME | DATE |
|----------|------|----------|
| DRAWN | CDH | 06/09/16 |
| APPROVED | BAT | 07/14/16 |

COMMENTS:

Translucent
UV Stabilized

STOCK NO.

3010

REV

A

DO NOT SCALE DRAWING

WEIGHT: 6.5 lbs.

PROPRIETARY AND CONFIDENTIAL

THE INFORMATION CONTAINED IN THIS
DRAWING IS THE SOLE PROPERTY OF
TAMCO. ANY REPRODUCTION IN PART
OR AS A WHOLE WITHOUT THE WRITTEN
PERMISSION OF TAMCO IS PROHIBITED.

MAX. OPERATING TEMP. 140°F
INTERMITTENT SERVICE TO 160°F
SEE CHEMICAL RESISTANCE
CHART FOR COMPATIBILITY