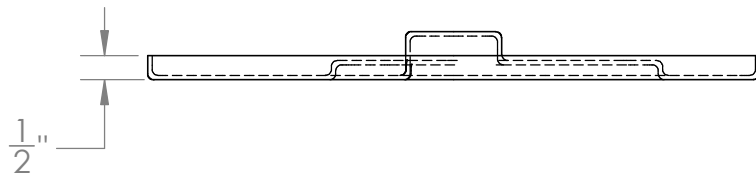
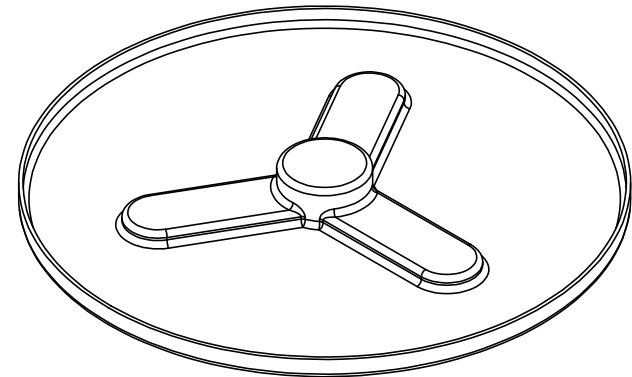
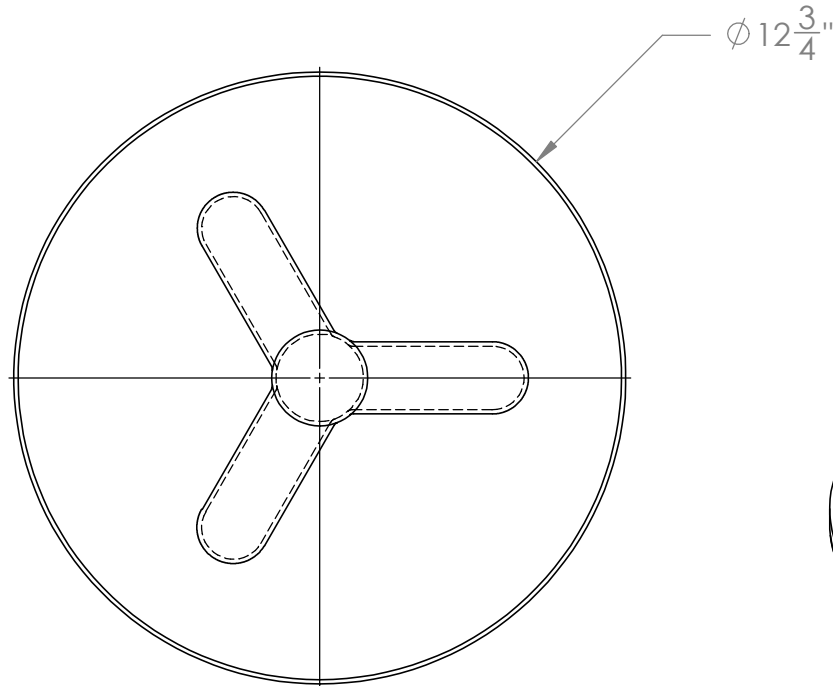


Catalog options:  
Tanks #3002, #3058, #4151



ALL FILLETS AND  
ROUNDS R $\frac{1}{8}$ "

Floating Cover for  
15 Gallon Tanks  
#3017



1390 Neubrecht Road  
Lima, Ohio 45801

STOCK NO.

3017

REV

A

DO NOT SCALE DRAWING

WEIGHT: 1 lbs.

DIMENSIONS ARE IN INCHES  
TOLERANCE:  $\pm 1/4$ "

MATERIAL  
LLDPE - FDA resin

CAPACITY  
N/A

GRADUATIONS  
N/A

NOMINAL WALL THICKNESS  
0.09"

	NAME	DATE
DRAWN	CDH	06/23/16
APPROVED	BAT	07/13/16

COMMENTS:

Translucent  
UV Stabilized

**PROPRIETARY AND CONFIDENTIAL**

THE INFORMATION CONTAINED IN THIS  
DRAWING IS THE SOLE PROPERTY OF  
TAMCO. ANY REPRODUCTION IN PART  
OR AS A WHOLE WITHOUT THE WRITTEN  
PERMISSION OF TAMCO IS PROHIBITED.

MAX. OPERATING TEMP. 140°F  
INTERMITTENT SERVICE TO 160°F  
SEE CHEMICAL RESISTANCE  
CHART FOR COMPATIBILITY