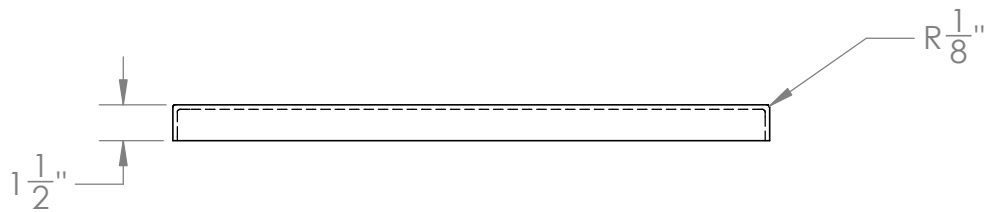
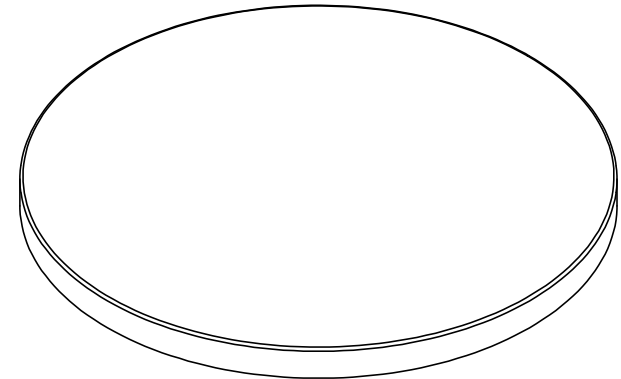
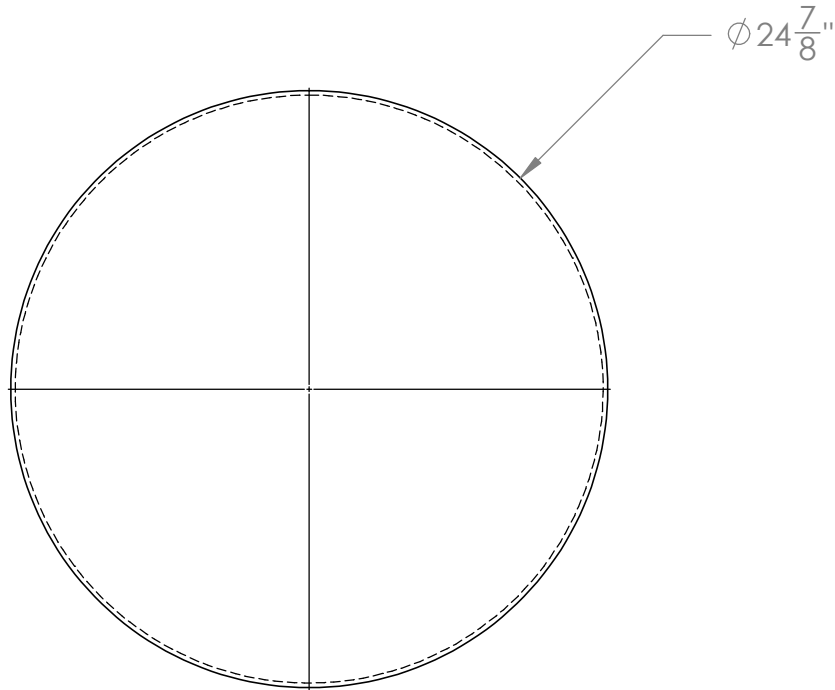


Catalog options:  
Tank #4032, #3055



Polyethylene  
Tank Cover #3025



1390 Neubrecht Road  
Lima, Ohio 45801

STOCK NO.

3025

REV

A

DO NOT SCALE DRAWING

WEIGHT: 4 lbs.

DIMENSIONS ARE IN INCHES  
TOLERANCE:  $\pm 1/4"$

MATERIAL  
LLDPE - FDA resin

CAPACITY  
N/A

GRADUATIONS  
N/A

NOMINAL WALL THICKNESS  
3/16"

	NAME	DATE
DRAWN	CDH	06/24/16
APPROVED	BAT	07/14/16

COMMENTS:

Translucent  
UV Stabilized

**PROPRIETARY AND CONFIDENTIAL**

THE INFORMATION CONTAINED IN THIS DRAWING IS THE SOLE PROPERTY OF TAMCO. ANY REPRODUCTION IN PART OR AS A WHOLE WITHOUT THE WRITTEN PERMISSION OF TAMCO IS PROHIBITED.

MAX. OPERATING TEMP. 140°F  
INTERMITTENT SERVICE TO 160°F  
SEE CHEMICAL RESISTANCE  
CHART FOR COMPATABILITY