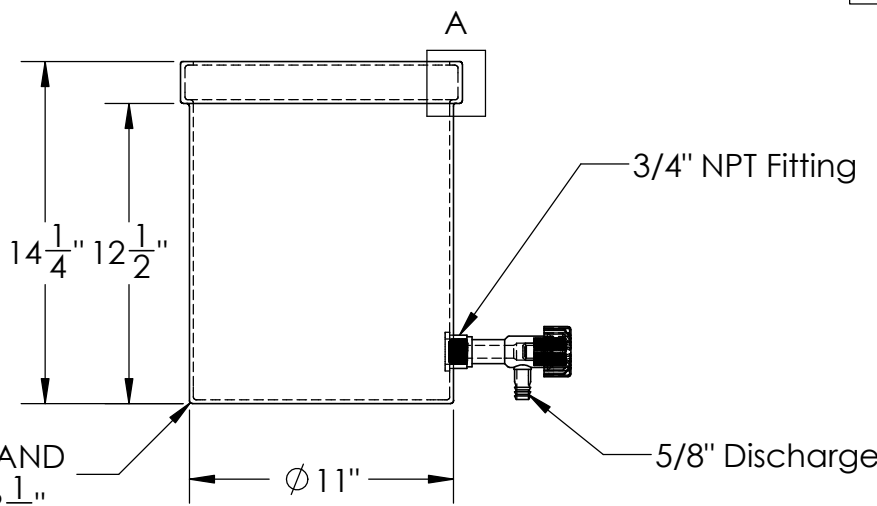
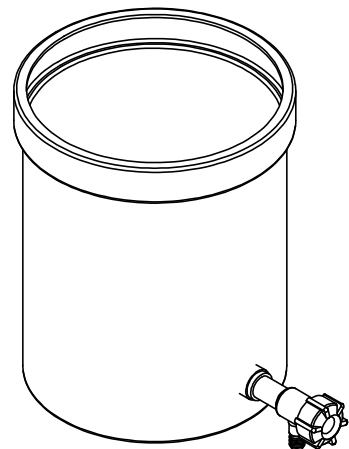
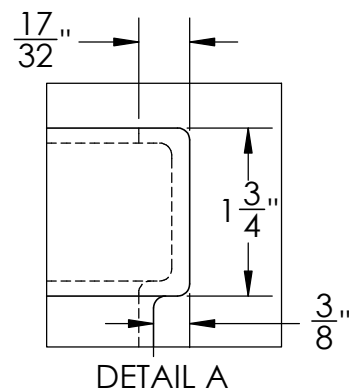


Catalog options:  
Cover #3006, Floating Cover #3011, Tank Stand #5060



ALL FILLETS AND  
ROUNDS R $\frac{1}{8}$ "

Polyethylene Calibrated  
Tanks with Spigot  
#3056



1390 Neubrecht Road  
Lima, Ohio 45801

STOCK NO. **3056** REV **A**

DO NOT SCALE DRAWING WEIGHT: 5 lbs.

DIMENSIONS ARE IN INCHES TOLERANCE: $\pm 1/4$ "		NAME	DATE
MATERIAL	LLDPE - FDA resin	DRAWN	CDH 07/06/16
CAPACITY	5 US gal.	APPROVED	BAT 07/14/16
GRADUATIONS	1/2 US gal.	COMMENTS: Translucent UV Stabilized	
NOMINAL WALL THICKNESS	5/32"		

**PROPRIETARY AND CONFIDENTIAL**  
THE INFORMATION CONTAINED IN THIS  
DRAWING IS THE SOLE PROPERTY OF  
TAMCO. ANY REPRODUCTION IN PART  
OR AS A WHOLE WITHOUT THE WRITTEN  
PERMISSION OF TAMCO IS PROHIBITED.

MAX. OPERATING TEMP. 140°F  
INTERMITTENT SERVICE TO 160°F  
SEE CHEMICAL RESISTANCE  
CHART FOR COMPATIBILITY