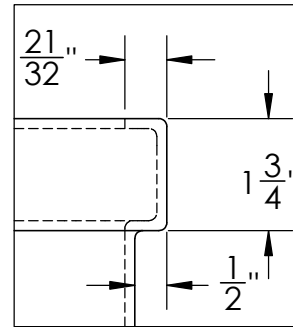
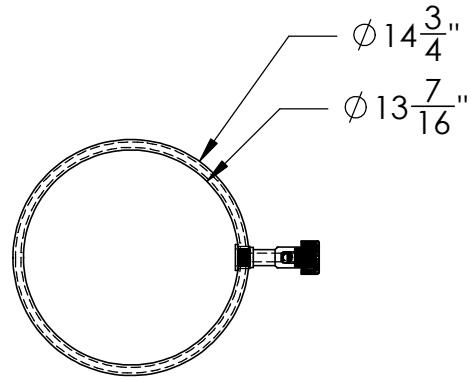
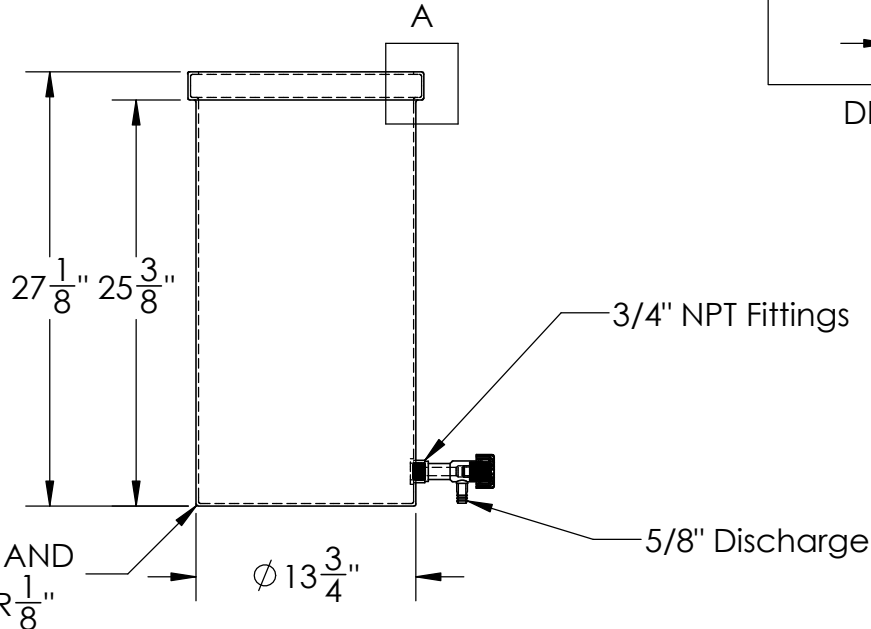
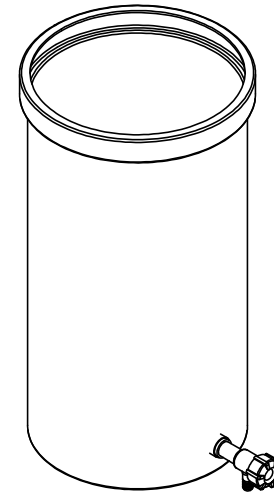


Catalog options:  
 Cover #3008, Floating Cover #3017, Tank Stand #5060



DETAIL A



ALL FILLETS AND  
 ROUNDS R  $\frac{1}{8}$ "

Polyethylene Calibrated  
 Tanks with Spigot  
 #3058



1390 Neubrecht Road  
 Lima, Ohio 45801

STOCK NO.	3058	REV	A
DO NOT SCALE DRAWING		WEIGHT: 8.5 lbs.	

DIMENSIONS ARE IN INCHES TOLERANCE: $\pm 1/4$ "		NAME	DATE
MATERIAL LLDPE - FDA resin	DRAWN	CDH	07/06/16
CAPACITY 15 US gal.	APPROVED	BAT	07/14/16
GRADUATIONS 1/2 US gal.	COMMENTS: Translucent UV Stabilized		
NOMINAL WALL THICKNESS 5/32"			

**PROPRIETARY AND CONFIDENTIAL**  
 THE INFORMATION CONTAINED IN THIS  
 DRAWING IS THE SOLE PROPERTY OF  
 TAMCO. ANY REPRODUCTION IN PART  
 OR AS A WHOLE WITHOUT THE WRITTEN  
 PERMISSION OF TAMCO IS PROHIBITED.

MAX. OPERATING TEMP. 140°F  
 INTERMITTENT SERVICE TO 160°F  
 SEE CHEMICAL RESISTANCE  
 CHART FOR COMPATABILITY