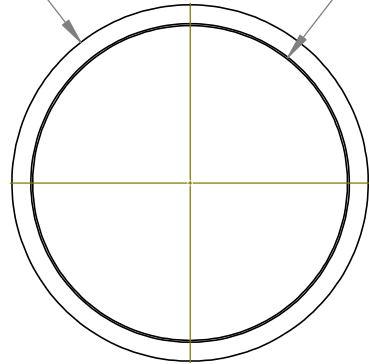
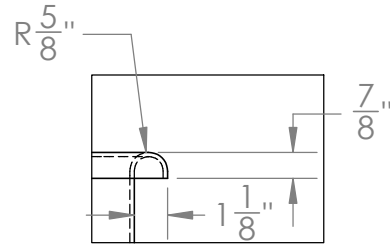


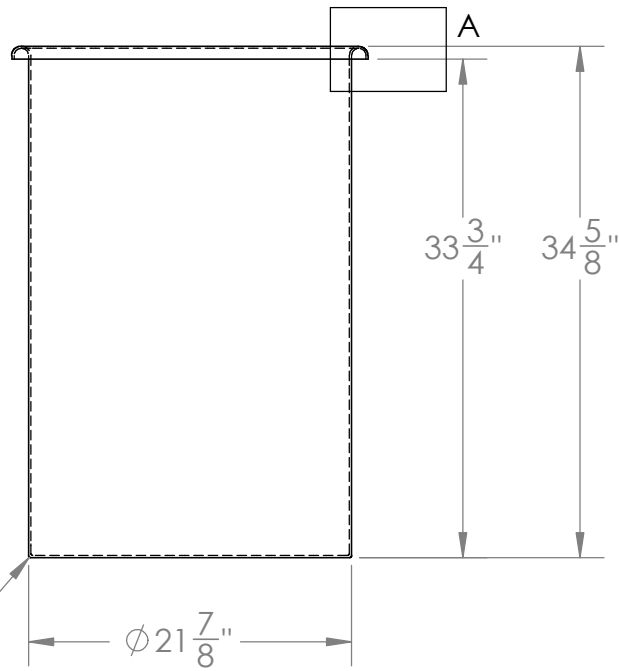
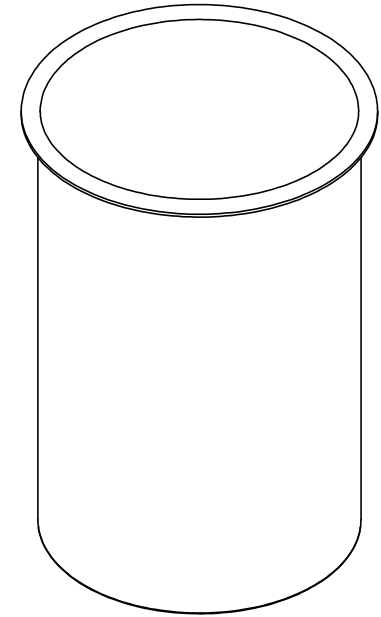
$\phi 24 \frac{1}{8}''$   $\phi 21 \frac{9}{16}''$



Catalog options:  
Cover #3025, Floating Cover #3015, Tank Stand #5062



DETAIL A



Polyethylene Storage  
Tank #4032



1390 Neubrecht Road  
Lima, Ohio 45801

STOCK NO. **4032** REV **A**

DO NOT SCALE DRAWING

WEIGHT: 13 lbs.

DIMENSIONS ARE IN INCHES TOLERANCE: $\pm 1/4''$		NAME	DATE
MATERIAL	LLDPE - FDA resin	DRAWN	CDH 06/08/16
CAPACITY	55 US gal.	APPROVED	BAT 07/14/16
GRADUATIONS	2-1/2 gal.	COMMENTS:	
NOMINAL WALL THICKNESS	5/32''	Translucent UV Stabilized	

**PROPRIETARY AND CONFIDENTIAL**  
THE INFORMATION CONTAINED IN THIS DRAWING IS THE SOLE PROPERTY OF TAMCO. ANY REPRODUCTION IN PART OR AS A WHOLE WITHOUT THE WRITTEN PERMISSION OF TAMCO IS PROHIBITED.

MAX. OPERATING TEMP. 140°F  
INTERMITTENT SERVICE TO 160°F  
SEE CHEMICAL RESISTANCE CHART FOR COMPATIBILITY