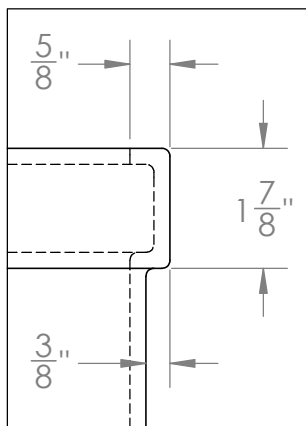
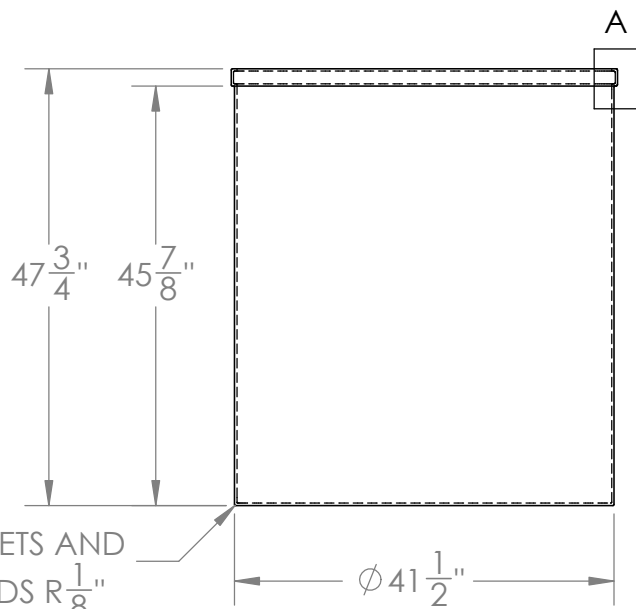
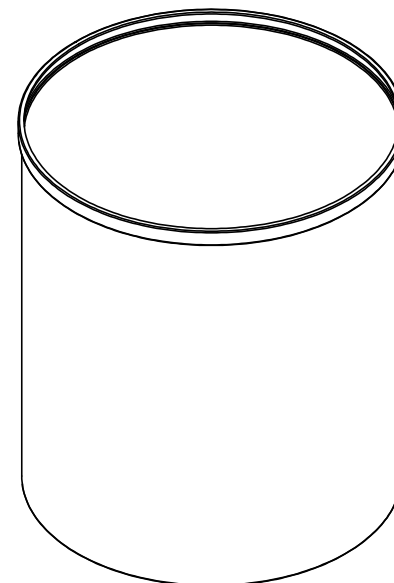


Catalog options:
Cover #4215, Tank Stand #5068-Includes agitator support column



DETAIL A



ALL FILLETS AND
ROUNDS R $\frac{1}{8}$ "

Heavy Duty Graduated
Polyethylene Tank
w/ External Flange #4165



1390 Neubrecht Road
Lima, Ohio 45801

DIMENSIONS ARE IN INCHES
TOLERANCE: $\pm 1/4$ "

MATERIAL
LLDPE - FDA resin

CAPACITY
275 US gal.

GRADUATIONS
25 gal.

NOMINAL WALL THICKNESS
1/4"

	NAME	DATE
DRAWN	CDH	06/15/16
APPROVED	BAT	07/13/16

COMMENTS:

Translucent
UV Stabilized

STOCK NO.

4165

REV

A

DO NOT SCALE DRAWING

WEIGHT: 75 lbs.

PROPRIETARY AND CONFIDENTIAL

THE INFORMATION CONTAINED IN THIS
DRAWING IS THE SOLE PROPERTY OF
TAMCO. ANY REPRODUCTION IN PART
OR AS A WHOLE WITHOUT THE WRITTEN
PERMISSION OF TAMCO IS PROHIBITED.

MAX. OPERATING TEMP. 140°F
INTERMITTENT SERVICE TO 160°F
SEE CHEMICAL RESISTANCE
CHART FOR COMPATIBILITY