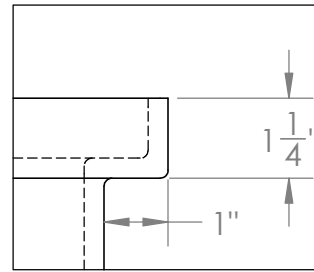
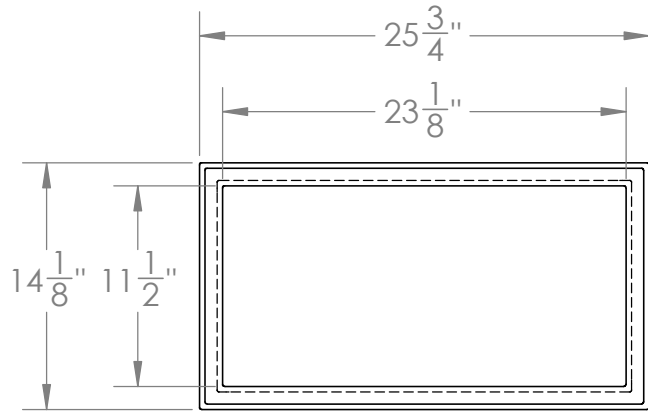
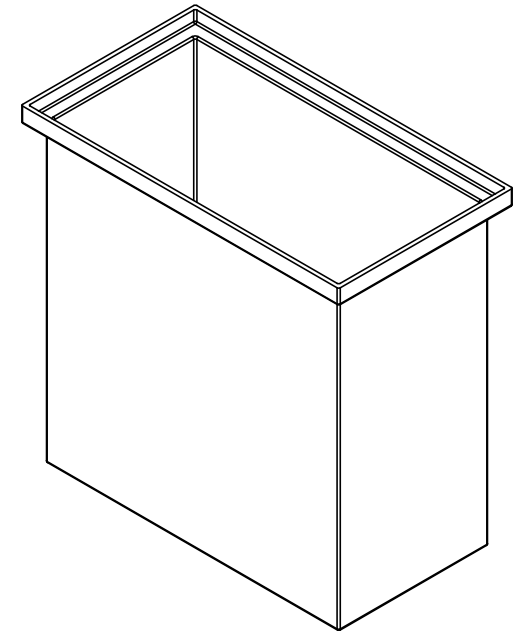
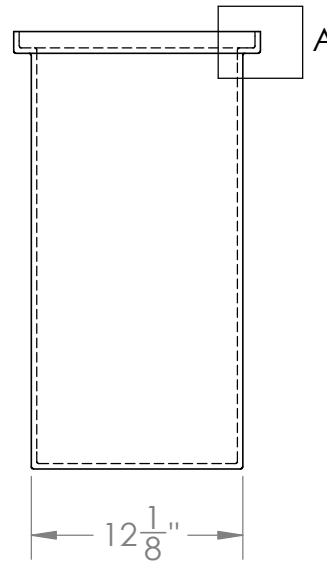
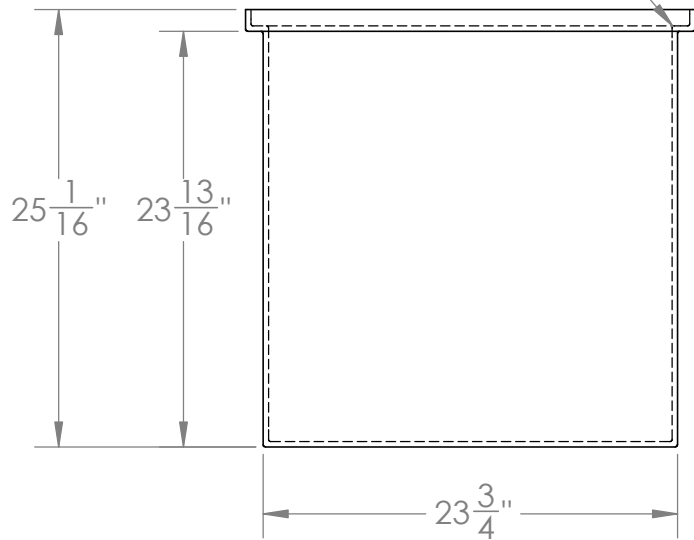


Catalog options:
Cover #6358



DETAIL A

ALL FILLETS AND
ROUNDS R $\frac{1}{8}$ "



Heavy Duty Polyethylene
Tank w/ Internal Flange #6310

TAMCO[®]
INDUSTRIES
1390 Neubrecht Road
Lima, Ohio 45801

STOCK NO. **6310** REV **A**

DO NOT SCALE DRAWING

WEIGHT: 20 lbs.

DIMENSIONS ARE IN INCHES TOLERANCE: $\pm 1/4$ "		NAME	DATE
MATERIAL	LLDPE - FDA resin	DRAWN	CDH 06/13/16
CAPACITY	30 US gal.	APPROVED	BAT 07/14/16
GRADUATIONS	NO	COMMENTS:	
NOMINAL WALL THICKNESS	5/16"	Translucent UV Stabilized	

PROPRIETARY AND CONFIDENTIAL
THE INFORMATION CONTAINED IN THIS
DRAWING IS THE SOLE PROPERTY OF
TAMCO. ANY REPRODUCTION IN PART
OR AS A WHOLE WITHOUT THE WRITTEN
PERMISSION OF TAMCO IS PROHIBITED.

MAX. OPERATING TEMP. 140°F
INTERMITTENT SERVICE TO 160°F
SEE CHEMICAL RESISTANCE
CHART FOR COMPATABILITY