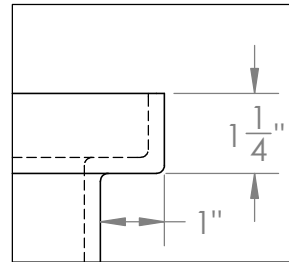
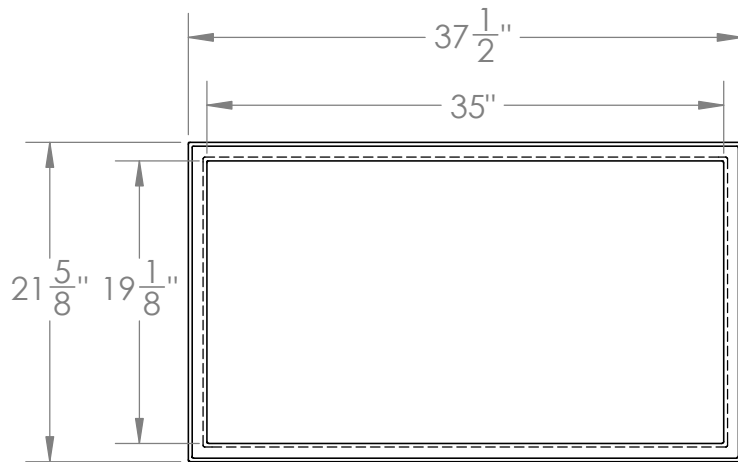
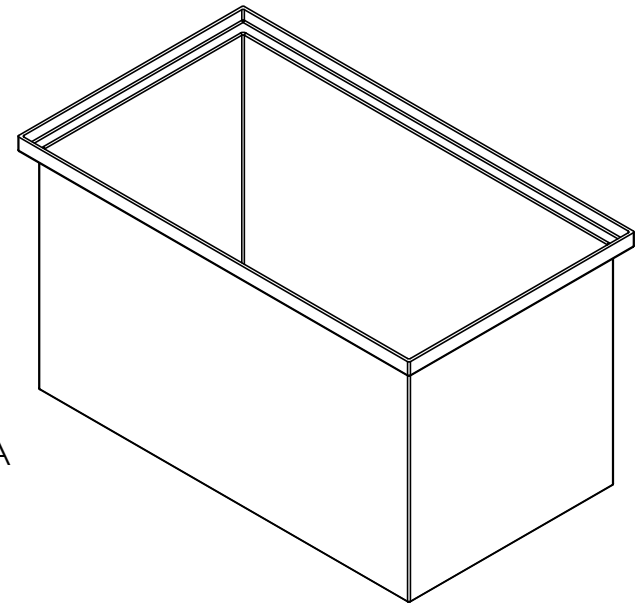


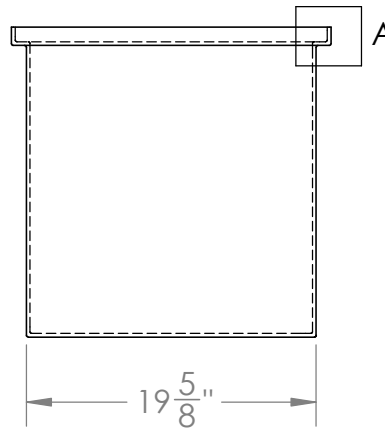
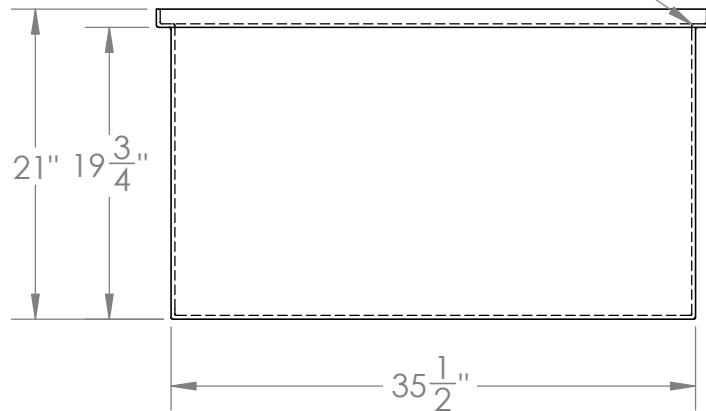
Catalog options:
Cover #6377



DETAIL A



ALL FILLETS AND
ROUNDS $R\frac{1}{8}$ "



Heavy Duty Polyethylene
Tank w/ Internal Flange #6327



PROPRIETARY AND CONFIDENTIAL
THE INFORMATION CONTAINED IN THIS DRAWING IS THE SOLE PROPERTY OF TAMCO. ANY REPRODUCTION IN PART OR AS A WHOLE WITHOUT THE WRITTEN PERMISSION OF TAMCO IS PROHIBITED.

MAX. OPERATING TEMP. 140°F
INTERMITTENT SERVICE TO 160°F
SEE CHEMICAL RESISTANCE
CHART FOR COMPATABILITY

DIMENSIONS ARE IN INCHES TOLERANCE: $\pm 1/4$ "		NAME	DATE
MATERIAL	LLDPE - FDA resin	DRAWN	CDH 06/13/16
CAPACITY	60 US gal.	APPROVED	BAT 07/14/16
GRADUATIONS	NO	COMMENTS: Translucent UV Stabilized	
NOMINAL WALL THICKNESS	1/4"		

STOCK NO.	6327	REV	A
DO NOT SCALE DRAWING		WEIGHT: 32 lbs.	