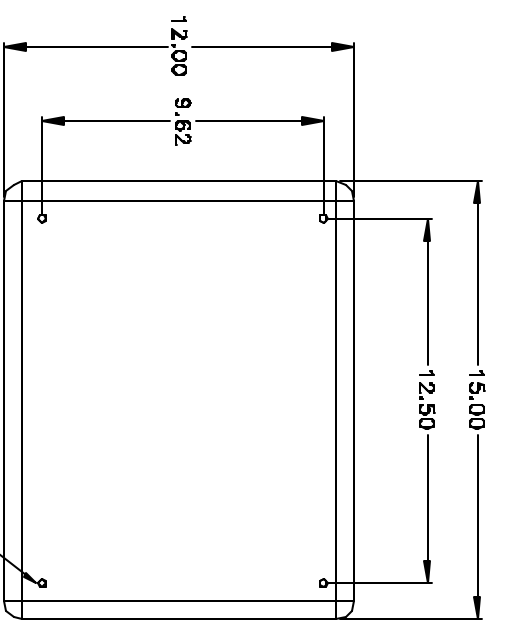
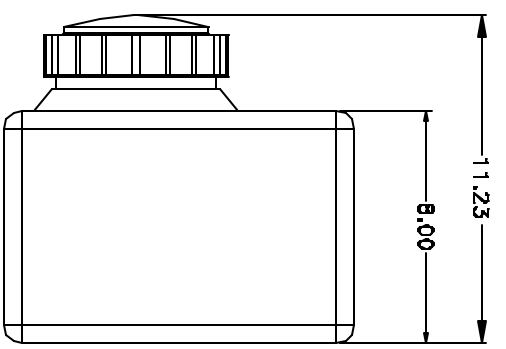
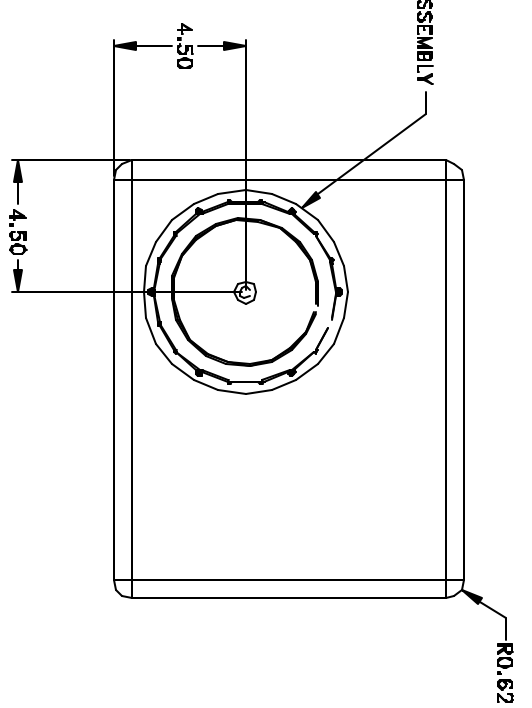


SP0006-5N

5" VENTED LID ASSEMBLY



.250-20 UNC X .50 DEEP THREADED INSERTS X 4

REV	DESCRIPTION	DATE	APPRD

DRAWN / DATE	MATERIAL
REH / 7/26/01	4 LB. MOBIL 134

**DEN HARTOG INDUSTRIES INC.**  
 4018 HWY. 60 BLVD. BOX 421, HOSSPERS, IOWA 51238

REV	DESCRIPTION	DATE	APPRD

NOTES:  
 1. NATURAL COLOR  
 2. NOM. WALL .150

CLIENT / DESCRIPTION: 6 GAL. SPECIALTY TANK  
 SCALE: N.S.  
 PART NO.: SP0006-5N

ALL DIMENSIONS ARE IN DECIMAL INCHES  
 TOLERANCES UNLESS OTHERWISE SPECIFIED  
 ± .5% @ 68° F

