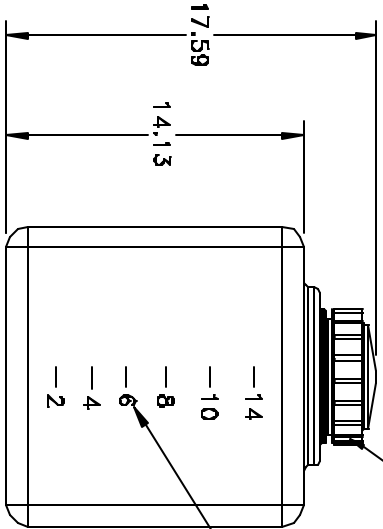
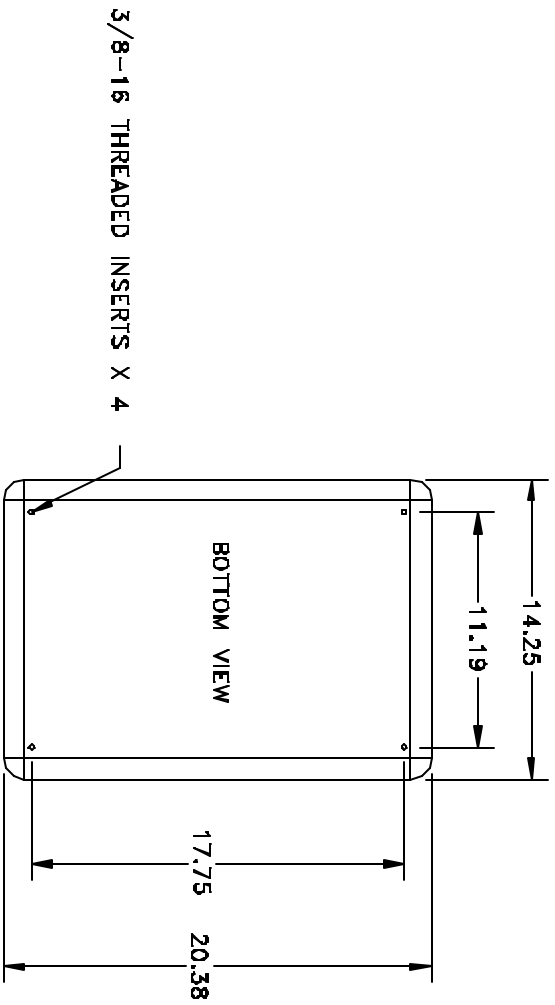
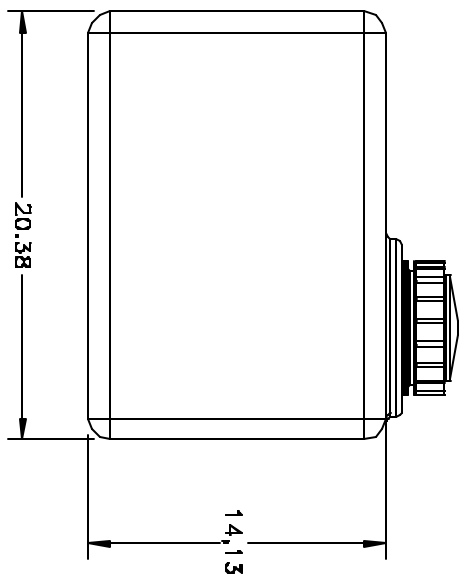


SP0016-MM

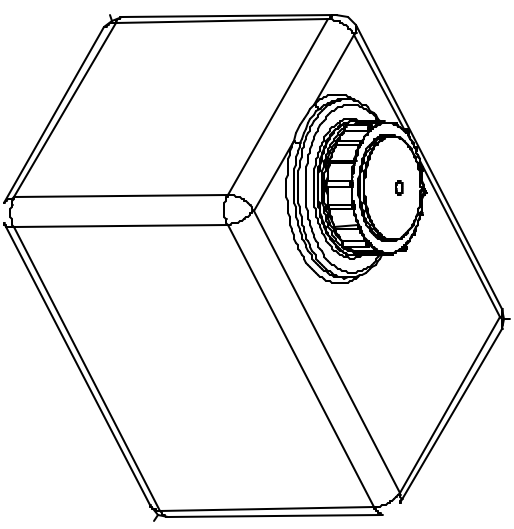
ACE 5" VENTED LID ASSEMBLY



GAL. MARKERS



3/8-16 THREADED INSERTS X 4



NOTE: THIS PRODUCT IS NOT DESIGNED TO CONTAIN PETROLEUM PRODUCTS. CONSULT THE FACTORY REGARDING CHEMICAL COMPATIBILITY

DRAWN / DATE		REH/OB/15/00		MATERIAL / SHOT WEIGHT		M111 M135 U625 P938		CLIENT / DESCRIPTION		ACE 16 GALLON RECTANGULAR TANK	
APPRD. / DATE		REH/OB/15/00		9 LB.				SCALE		N.S.	
THIRD ANGLE PROJECTION ANSI 14.2M		NOTES:		1. NATURAL COLOR				PART NO.		SP0016-MM	
REV		DESCRIPTION		DATE		APPRD		TOLERANCES UNLESS OTHERWISE SPECIFIED		$\pm .532$ $\text{Ø}$ $88^{\circ}$ F	
ALL DIMENSIONS ARE IN DECIMAL INCHES											