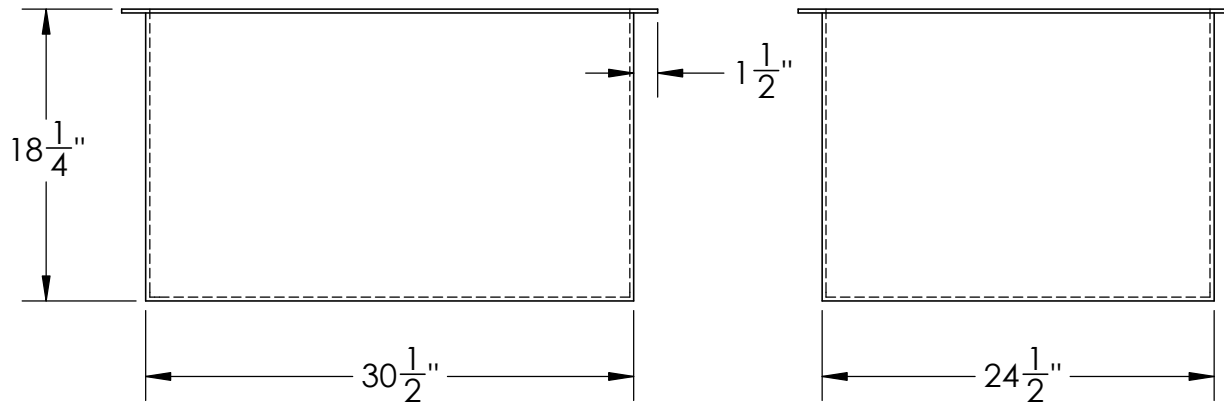
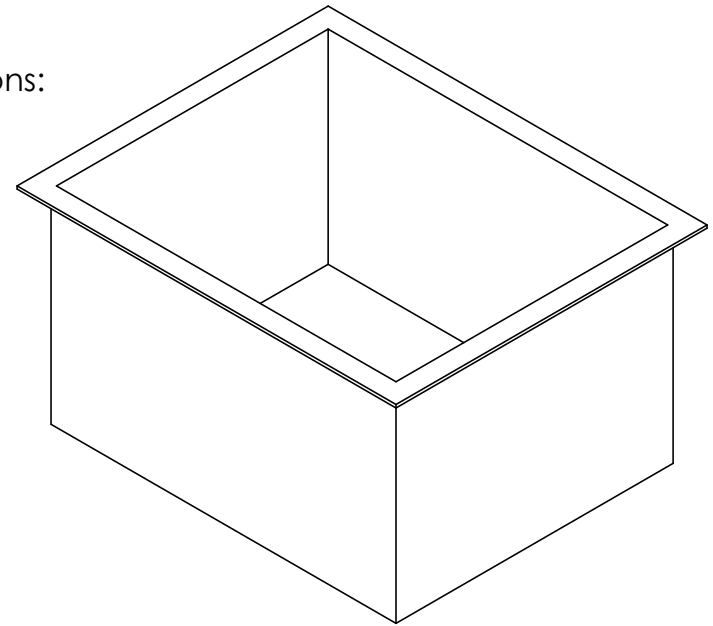


Catalog Options:
Cover #9131



Polypropylene High
Temperature Rectangular
Tank #9025



1390 Neubrecht Road
Lima, Ohio 45801

STOCK NO.	9025	REV	A
DO NOT SCALE DRAWING		WEIGHT: 62 lbs.	

DIMENSIONS ARE IN INCHES TOLERANCE: ± 1/4"			
MATERIAL	DRAWN	NAME	DATE
POLYPROPYLENE	CDH	BAT	07/05/16
CAPACITY	APPROVED	COMMENTS:	
56 US gal.	BAT	Welded Construction	
GRADUATIONS			
N/A			
NOMINAL WALL THICKNESS			
1/4"			

PROPRIETARY AND CONFIDENTIAL
THE INFORMATION CONTAINED IN THIS DRAWING IS THE SOLE PROPERTY OF TAMCO. ANY REPRODUCTION IN PART OR AS A WHOLE WITHOUT THE WRITTEN PERMISSION OF TAMCO IS PROHIBITED.

MAX. OPERATING TEMP. 200°F
SEE CHEMICAL RESISTANCE
CHART FOR COMPATABILITY