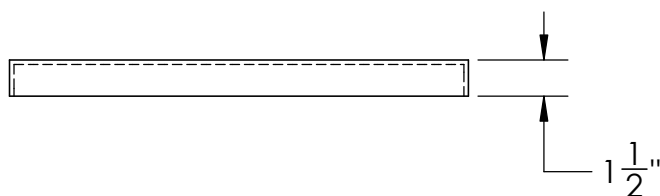
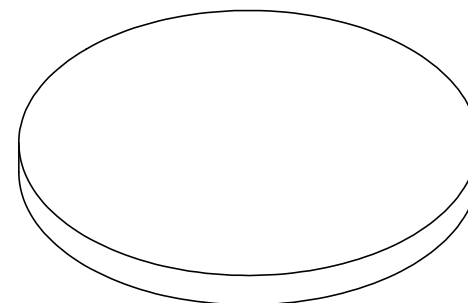
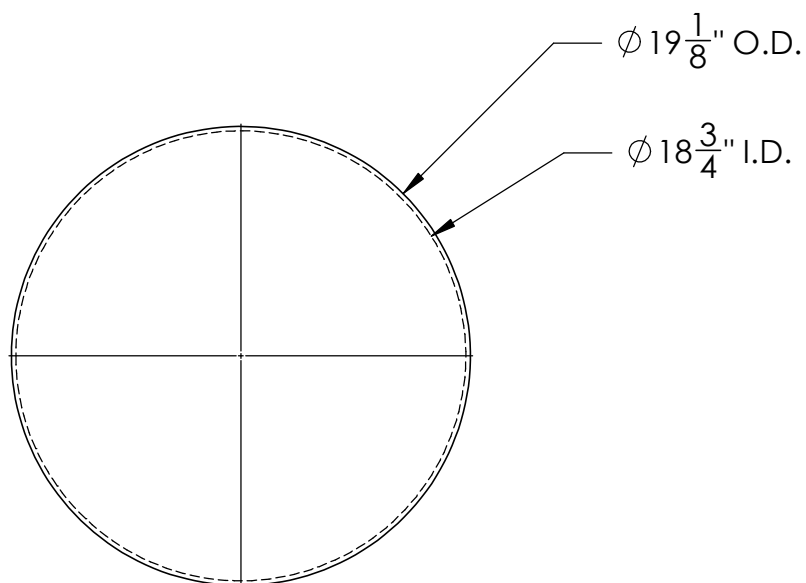


Catalog Options:  
Tanks #9003, #9004



Polypropylene Tank  
Cover #9102



1390 Neubrecht Road  
Lima, Ohio 45801

STOCK NO.

9102

REV

A

DO NOT SCALE DRAWING

WEIGHT: 2.1 lbs.

DIMENSIONS ARE IN INCHES  
TOLERANCE:  $\pm 1/4$ "

MATERIAL  
POLYPROPYLENE

CAPACITY  
N/A

GRADUATIONS  
N/A

NOMINAL WALL THICKNESS  
3/16"

	NAME	DATE
DRAWN	CDH	07/06/16
APPROVED	BAT	07/14/16

COMMENTS:

Welded  
Construction

**PROPRIETARY AND CONFIDENTIAL**

THE INFORMATION CONTAINED IN THIS  
DRAWING IS THE SOLE PROPERTY OF  
TAMCO. ANY REPRODUCTION IN PART  
OR AS A WHOLE WITHOUT THE WRITTEN  
PERMISSION OF TAMCO IS PROHIBITED.

MAX. OPERATING TEMP. 200°F  
SEE CHEMICAL RESISTANCE  
CHART FOR COMPATABILITY