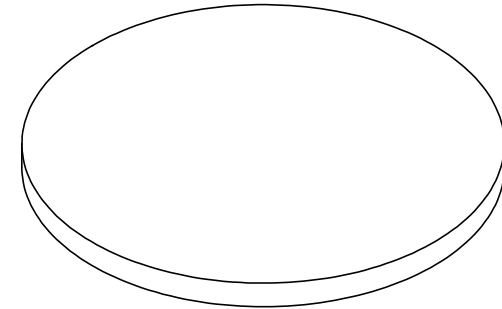
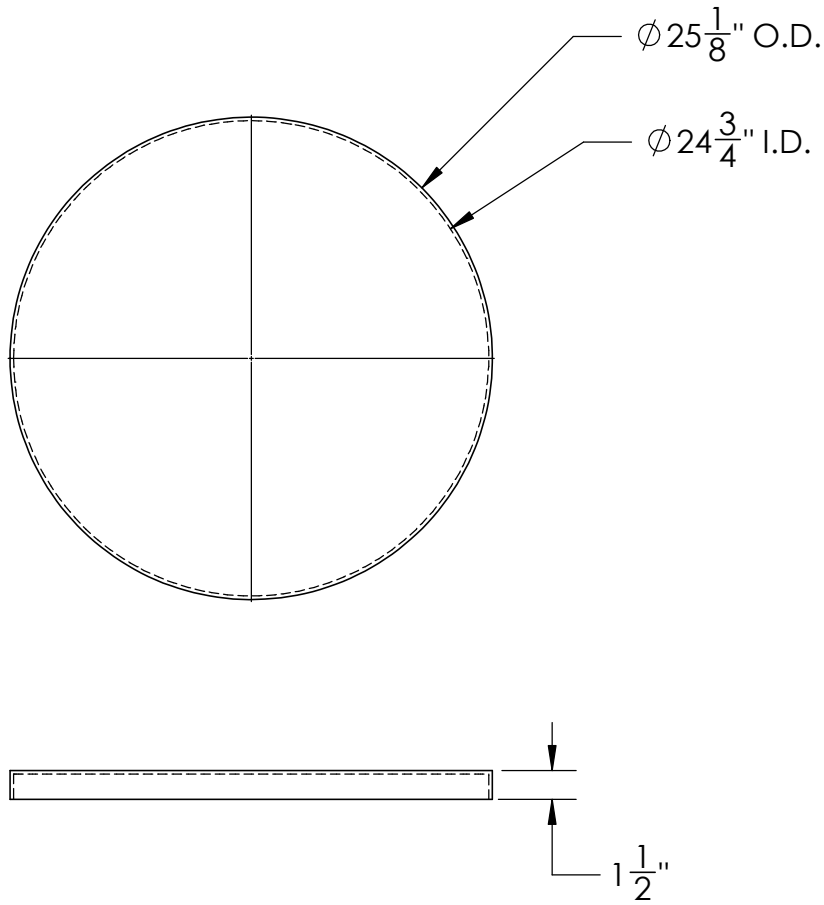


Catalog Options:  
Tanks #9006, #9007, #9008, #9097



Polypropylene Tank  
Cover #9104



1390 Neubrecht Road  
Lima, Ohio 45801

STOCK NO.	9104	REV	A
-----------	------	-----	---

DO NOT SCALE DRAWING

WEIGHT: 3.5 lbs.

DIMENSIONS ARE IN INCHES TOLERANCE: ± 1/4"		NAME	DATE
MATERIAL POLYPROPYLENE		DRAWN CDH	07/06/16
CAPACITY N/A		APPROVED BAT	07/14/16
GRADUATIONS N/A		COMMENTS:  Welded Construction	
NOMINAL WALL THICKNESS 3/16"			

**PROPRIETARY AND CONFIDENTIAL**  
THE INFORMATION CONTAINED IN THIS  
DRAWING IS THE SOLE PROPERTY OF  
TAMCO. ANY REPRODUCTION IN PART  
OR AS A WHOLE WITHOUT THE WRITTEN  
PERMISSION OF TAMCO IS PROHIBITED.

MAX. OPERATING TEMP. 200°F  
SEE CHEMICAL RESISTANCE  
CHART FOR COMPATABILITY