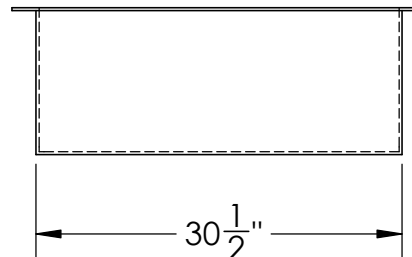
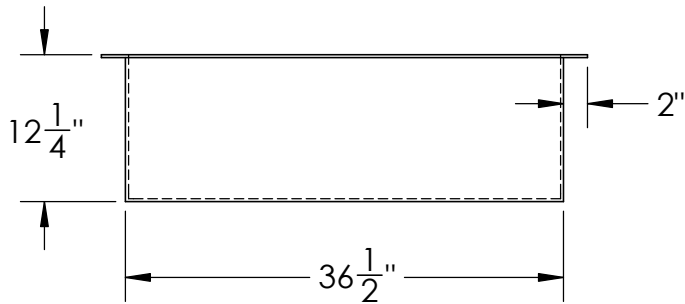
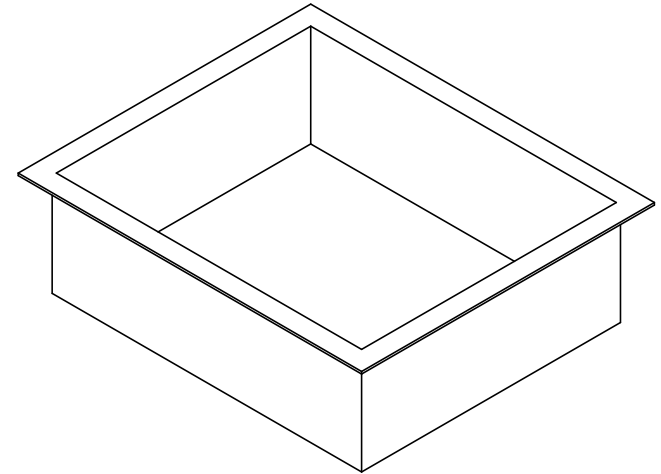


Catalog Options:  
Cover #9198



Polypropylene High  
Temperature Rectangular  
Tank #9179



1390 Neubrecht Road  
Lima, Ohio 45801

STOCK NO.

9179

REV

A

DO NOT SCALE DRAWING

WEIGHT: 45 lbs.

DIMENSIONS ARE IN INCHES TOLERANCE: ± 1/4"		NAME	DATE
MATERIAL POLYPROPYLENE	DRAWN	CDH	07/05/16
CAPACITY 56 US gal.	APPROVED	BAT	07/14/16
GRADUATIONS N/A	COMMENTS: Welded Construction		
NOMINAL WALL THICKNESS 1/4"			

**PROPRIETARY AND CONFIDENTIAL**  
THE INFORMATION CONTAINED IN THIS  
DRAWING IS THE SOLE PROPERTY OF  
TAMCO. ANY REPRODUCTION IN PART  
OR AS A WHOLE WITHOUT THE WRITTEN  
PERMISSION OF TAMCO IS PROHIBITED.

MAX. OPERATING TEMP. 200°F  
SEE CHEMICAL RESISTANCE  
CHART FOR COMPATABILITY