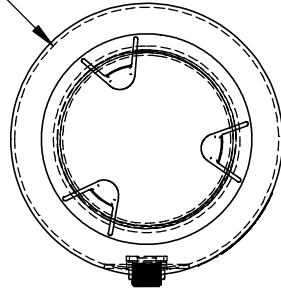
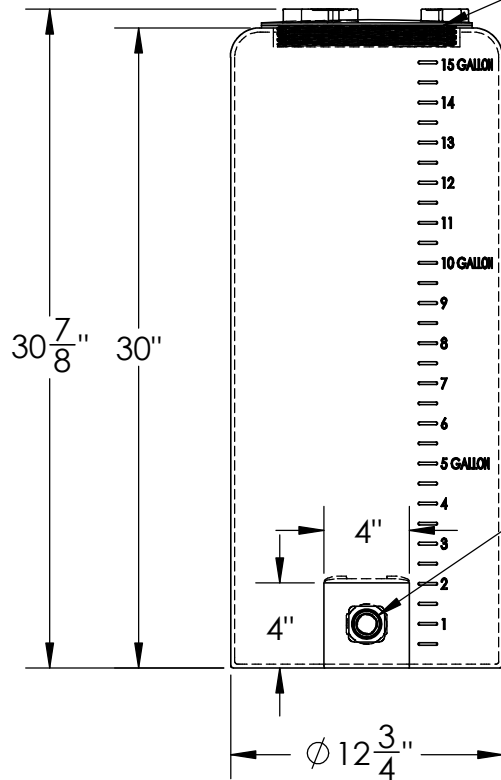


Ø 12 ³/₈" I.D.



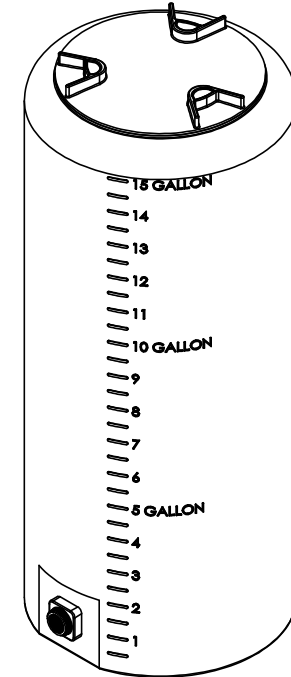
Catalog option:
Tank Stand #5060

8" LID #970196



3/4" PP TANK FITTING #16802

R ¹/₈"



Tamco Vertical Closed
Head Tank w/
8" Lid #3483



1390 Neubrecht Road
Lima, Ohio 45801

STOCK NO.

3483

REV

A

DO NOT SCALE DRAWING

WEIGHT: 9 lbs.

DIMENSIONS ARE IN INCHES
TOLERANCE: ± 1/4"

MATERIAL
LLDPE - FDA resin

CAPACITY
15 US gal.

GRADUATIONS
1/2 gal.

NOMINAL WALL THICKNESS
3/16"

	NAME	DATE
DRAWN	CDH	11/17/16
APPROVED	BAT	11/17/16

COMMENTS:

Translucent
UV Stabilized

PROPRIETARY AND CONFIDENTIAL

THE INFORMATION CONTAINED IN THIS
DRAWING IS THE SOLE PROPERTY OF
TAMCO. ANY REPRODUCTION IN PART
OR AS A WHOLE WITHOUT THE WRITTEN
PERMISSION OF TAMCO IS PROHIBITED.

MAX. OPERATING TEMP. 140°F
INTERMITTENT SERVICE TO 160°F
SEE CHEMICAL RESISTANCE
CHART FOR COMPATIBILITY