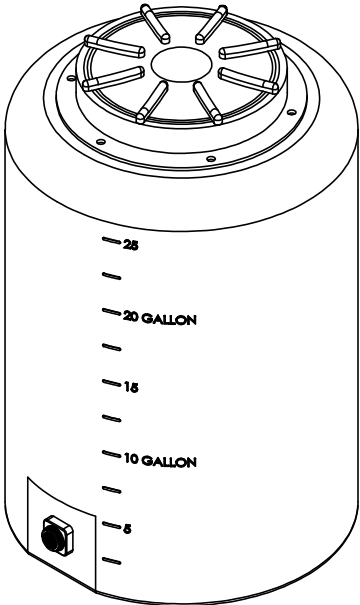
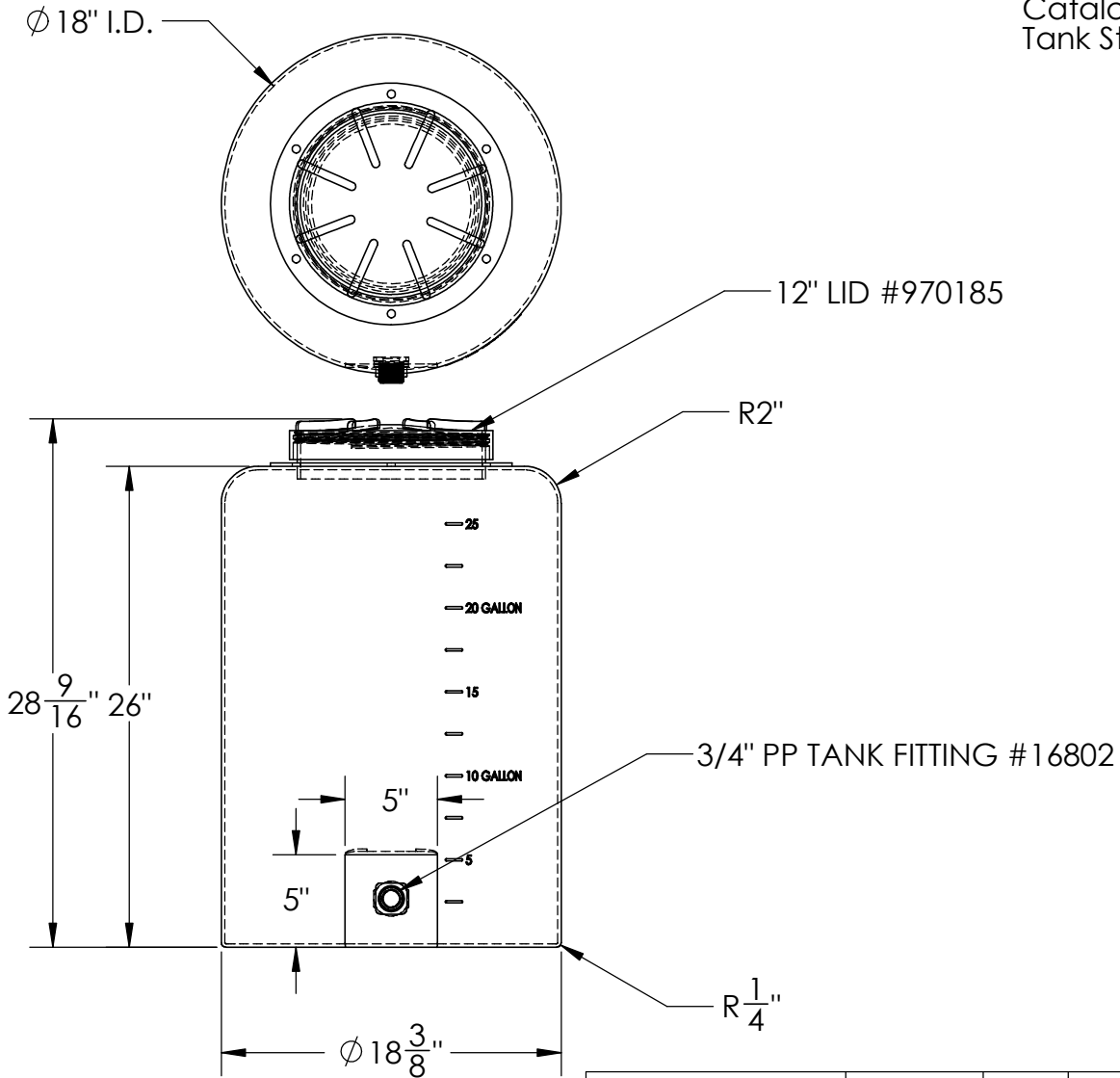


Catalog option:
Tank Stand #5061



Tamco Vertical Closed
Head Tank w/
12" Lid #3494



DIMENSIONS ARE IN INCHES TOLERANCE: ± 1/4"		NAME	DATE
MATERIAL	LLDPE - FDA resin	DRAWN	CDH 11/17/16
CAPACITY	25 US gal.	APPROVED	BAT 11/17/16
GRADUATIONS	2-1/2 gal.	COMMENTS:	
NOMINAL WALL THICKNESS	3/16"	Translucent UV Stabilized	

PROPRIETARY AND CONFIDENTIAL
THE INFORMATION CONTAINED IN THIS DRAWING IS THE SOLE PROPERTY OF TAMCO. ANY REPRODUCTION IN PART OR AS A WHOLE WITHOUT THE WRITTEN PERMISSION OF TAMCO IS PROHIBITED.

MAX. OPERATING TEMP. 140°F
INTERMITTENT SERVICE TO 160°F
SEE CHEMICAL RESISTANCE
CHART FOR COMPATABILITY

STOCK NO.	3494	REV	A
DO NOT SCALE DRAWING		WEIGHT: 12.5 lbs.	