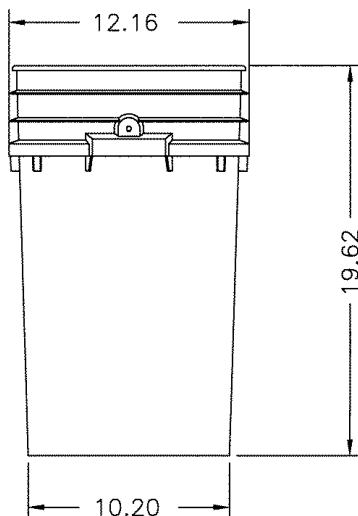


# 7 Gallon Round Container



## Features

- Large integrated handles provide comfort in handling
- Reinforcing ribs maintain container shape
- Tapered design allows for container nesting
- Accepts metal handle

**PRODUCT CODE**.....7R

**COMPATIBLE LIDS**..... 5LTB, 5LHV, 5NLR & 5LTEO

## SPECIFICATIONS

Height.....19.62"  
 Outer Diameter.....12.16"  
 Thickness.....100 mil  
 Print Area.....32" x 14.25"  
 Resin.....HDPE

## VOLUME

Practical Fill.....7.00 gal. / 26.50 liters  
 Overflow.....7.39 gal. / 27.97 liters

## PACKAGING

Pack Count.....84  
 Pack Dimensions.....48.9" x 36.6" x 47.1"  
 Cubic Feet.....48.7  
 Packs per Pallet.....2

## ORDER QUANTITIES (53' Truckload)

7R & 5LTB.....4,704 bases & 4,800 lids

52585 Dequindre Road  
 Rochester, MI 48308

Phone 248-652-0557  
 Toll Free 800-Letica-1  
 Fax 248-608-2092  
 letica.com



Coast to Coast  
 Manufacturing Capabilities

The above information is general sales material only. LETICA MAKES NO WARRANTIES HEREIN, EXPRESS OR IMPLIED, INCLUDING THE WARRANTY OF MERCHANTABILITY OR FITNESS FOR A PARTICULAR USE OR PURPOSE. As Letica continues to improve its products and processes, Letica reserve the right to alter or modify any product and/or specification at any time without notice or obligation. Please contact your Letica sales representative to ensure you have the most recent product information.

Rev. 0