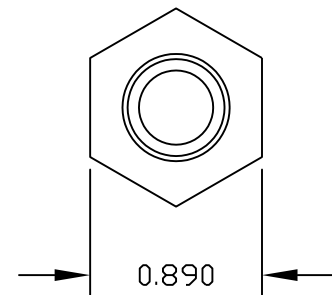
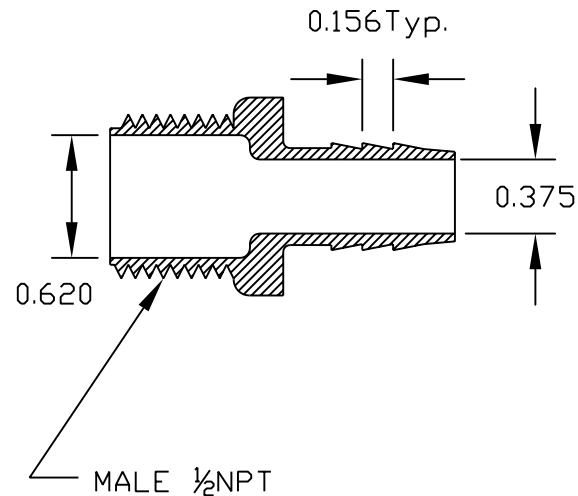
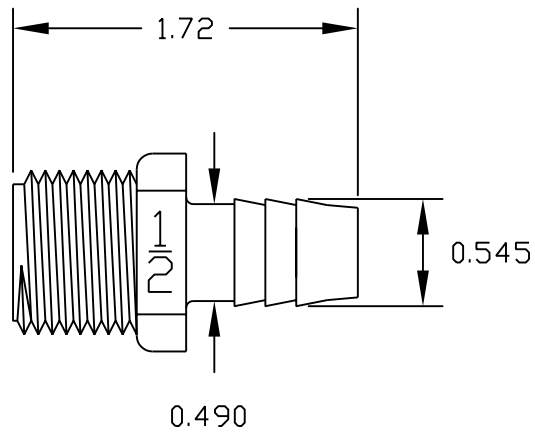


REV	DESCRIPTION	DATE	APPROVED
A	REDRAWN & RELEASED	2/97	2/97
B	MODIFIED BARB	12/28/99	BM



UNLESS OTHERWISE SPECIFIED
DIMENSIONS ARE IN INCHES
TOLERANCES
DECIMALS ANGULAR
.XX +/- .05 +/- .5
.XXX +/- .015

PART NAME:

1/2" NPT X 1/2" ADAPTER

THOGUS
PRODUCTS

33597 PIN OAK PARKWAY
AVON LAKE OHIO 44012

CONFIDENTIAL

THIS PRINT AND THE SPECIFICATIONS ARE THE PROPERTY OF THOGUS PRODUCTS COMPANY AND HAVE BEEN ISSUED WITH THE UNDERSTANDING THAT IT WILL NOT BE REPRODUCED, REVEALED TO OR USED FOR THE MANUFACTURE FOR OTHERS AND WILL BE RETURNED UPON REQUEST. ⚡

DRAWN **BM** DATE 12/99

filename: **1088N**

MATERIAL SEE NOTES

PART NUMBER **TA-1088** REV **B**

SCALE 1:1

SHEET 1 OF 1