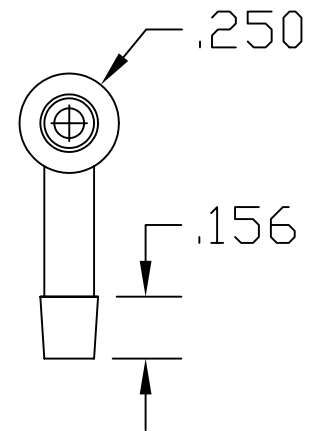
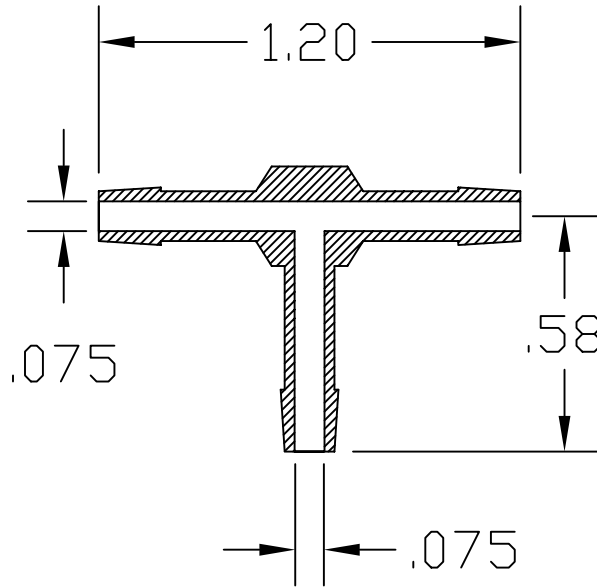
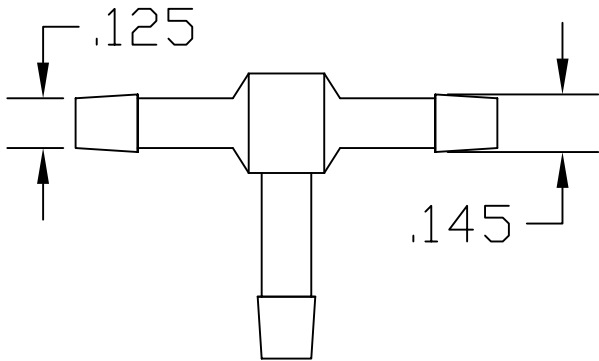
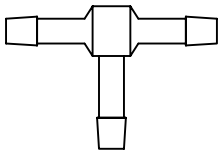


REVISIONS				
ZONE	REV	DESCRIPTION	DATE	APPROVED
	A	DRAWN AND RELEASED	2/98	2/98



ACTUAL SIZE



UNLESS OTHERWISE SPECIFIED  
DIMENSIONS ARE IN INCHES  
TOLERANCES  
DECIMALS ANGULAR  
.XX +/- .05 +/- .5  
.XXX +/- .015

DRAWN NM DATE 2/98

FILENAME: 9222n

DESIGN: SEE NOTE

Part Name:  
1/8 BARB X 1/8 BARB X 1/8 BARB TEE

**THOGUS PRODUCTS** 33597 PIN OAK PARKWAY  
AVON LAKE OHIO 44012

Part Number: TT-9222 REV A

SCALE 2:1 SHEET 1 OF 1

THIS DRAWING MAY BE USED IN WHOLE OR IN PART WITHOUT THE WRITTEN CONSENT OF THOGUS PRODUCTS, INC.