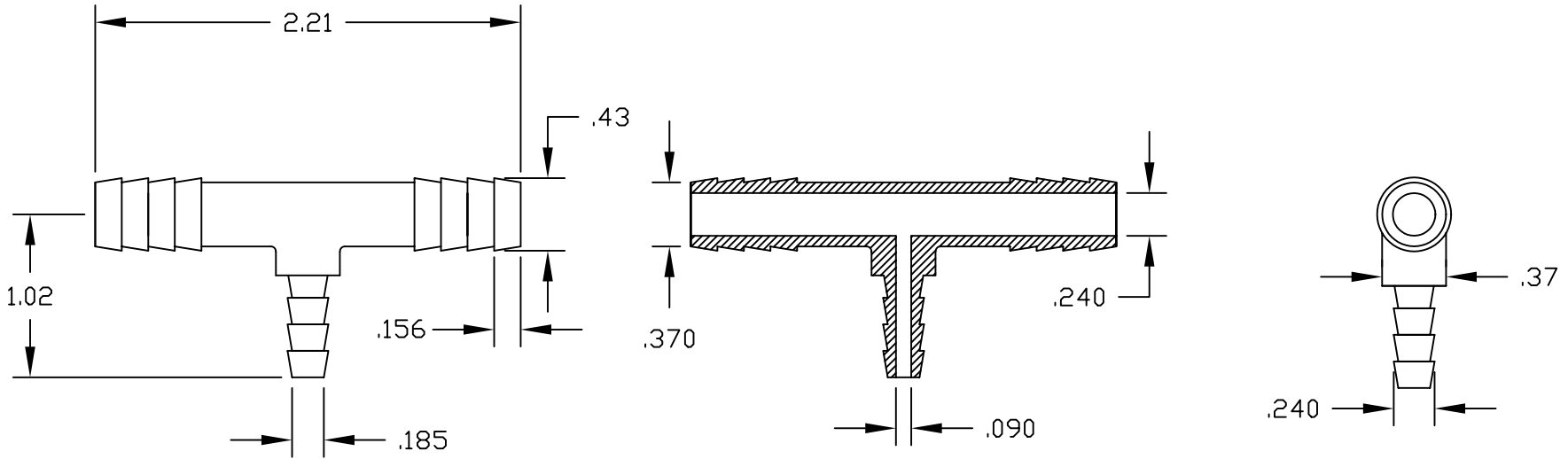


REVISIONS				
ZONE	REV	DESCRIPTION	DATE	APPROVED
	A	REDRAWN & RELEASED	4/98	4/98



UNLESS OTHERWISE SPECIFIED
DIMENSIONS ARE IN INCHES
TOLERANCES
DECIMALS ANGULAR
.XX +/- .05 +/- .05
.XXX +/- .015

Part Name:
3/16 BARB X 3/8 BARB X 3/8 BARB TEE

THOGUS 33597 PIN OAK PARKWAY
PRODUCTS AVON LAKE OHIO 44012

CONFIDENTIAL
THIS PRINT AND THE SPECIFICATIONS
ARE THE PROPERTY OF THOGUS
PRODUCTS COMPANY AND HAVE BEEN
ISSUED WITH THE UNDERSTANDING THAT
IT WILL NOT BE REPRODUCED,
REVEALED TO OR USED FOR THE
MANUFACTURE FOR OTHERS AND WILL
BE RETURNED UPON REQUEST. Ⓞ

DRAWN NM DATE 4/98

FILENAME: 9366pa

MATERIAL: SEE NOTE

Part Number: TT-9366

SCALE 1:1 SHEET 1 OF 1

REV A

THIS DRAWING IS THE PROPERTY OF THOGUS PRODUCTS COMPANY. IT IS TO BE KEPT IN CONFIDENCE AND NOT REPRODUCED OR USED FOR ANY OTHER PURPOSE WITHOUT THE WRITTEN PERMISSION OF THOGUS PRODUCTS COMPANY.