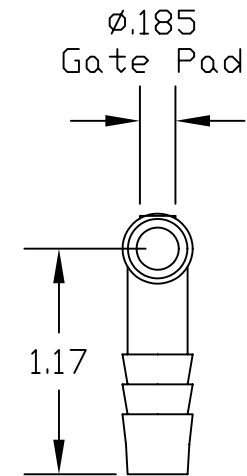
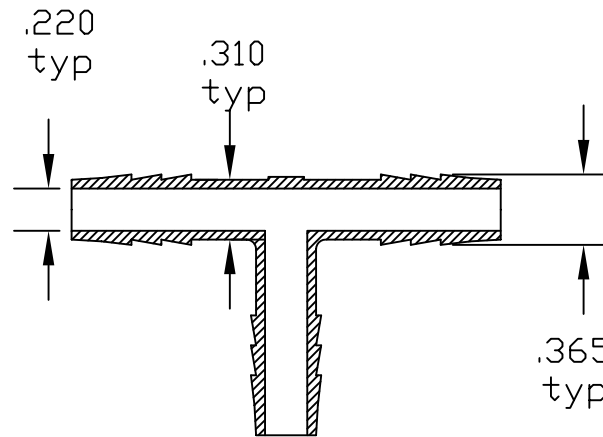
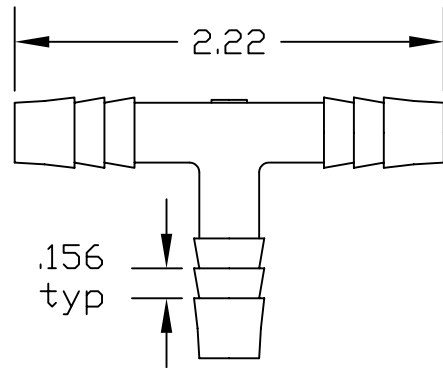


REVISIONS			
REV	DESCRIPTION	DATE	APPROVED
A	RELEASED	1/98	1/98
B	MODIFY BARBS	12/00	12/00



UNLESS OTHERWISE SPECIFIED DIMENSIONS ARE IN INCHES TOLERANCES		Part Name: 5/16 BARB X 5/16 BARB X 5/16 BARB TEE	
DECIMALS	ANGULAR	THOGUS PRODUCTS 33597 PIN OAK PARKWAY AVON LAKE OHIO 44012	
.XX +/- .05	+/- 0.5		
.XXX +/- .015			
DRAWN	NM	DATE	1/98
FILENAME:	9555N	Part Number	TT-9555
MATERIAL:	SEE NOTE	SCALE	1:1
		SHEET	1 OF 1
		REV	B

THIS DRAWING IS THE PROPERTY OF THOGUS PRODUCTS, INC. IT IS TO BE USED ONLY FOR THE PURPOSES AND IN THE QUANTITIES SPECIFIED ON THE DRAWING. IT IS NOT TO BE REPRODUCED, COPIED, OR TRANSMITTED IN ANY FORM OR BY ANY MEANS, ELECTRONIC OR MECHANICAL, INCLUDING PHOTOCOPYING, RECORDING, OR BY ANY INFORMATION STORAGE AND RETRIEVAL SYSTEM.