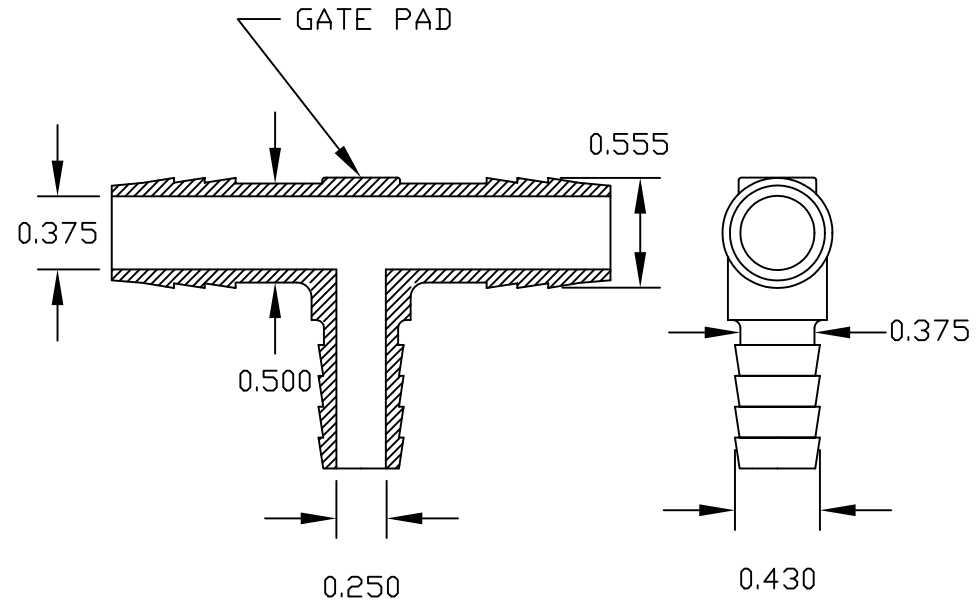
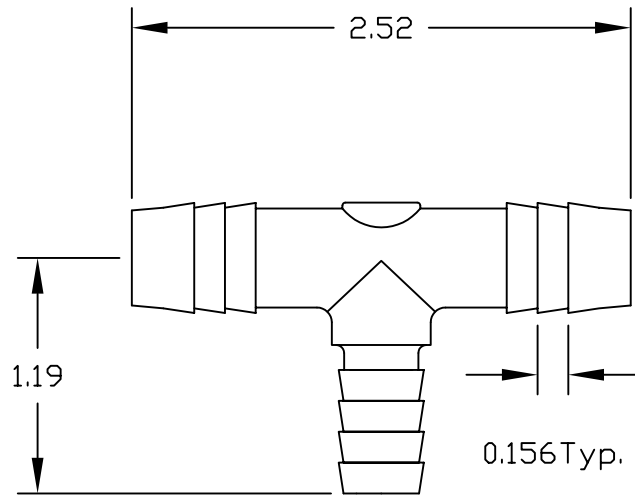


REV	DESCRIPTION	DATE	APPROVED
A	REDRAWN & RELEASED	3/98	3/98
B	LEAD BARB ADDED	9/99	9/99
C	REDRAWN & DIM.	12/28/99	BM



UNLESS OTHERWISE SPECIFIED
DIMENSIONS ARE IN INCHES
TOLERANCES
DECIMALS ANGULAR
.XX +/- .05 +/- .5
.XXX +/- .015

PART NAME:
3/8 BARB X 1/2 BARB X 1/2 BARB TEE

THOGUS 33597 PIN OAK PARKWAY
PRODUCTS AVON LAKE OHIO 44012

CONFIDENTIAL
THIS PRINT AND THE SPECIFICATIONS
ARE THE PROPERTY OF THOGUS
PRODUCTS COMPANY AND HAVE BEEN
ISSUED WITH THE UNDERSTANDING THAT
IT WILL NOT BE REPRODUCED,
REVEALED TO OR USED FOR THE
MANUFACTURE FOR OTHERS AND WILL
BE RETURNED UPON REQUEST. ⚡

DRAWN BM DATE 12/99

filename: 9688n

MATERIAL SEE NOTE

PART NUMBER TT9688 REV C

SCALE 1:1 SHEET 1 OF 1