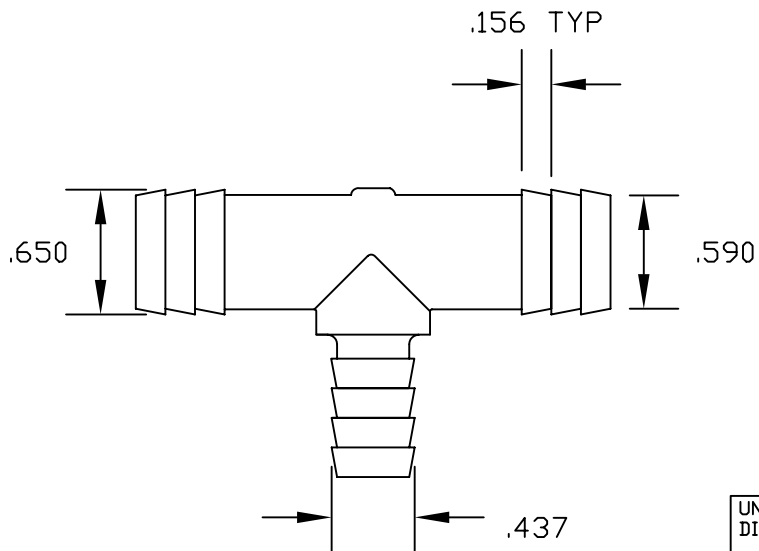
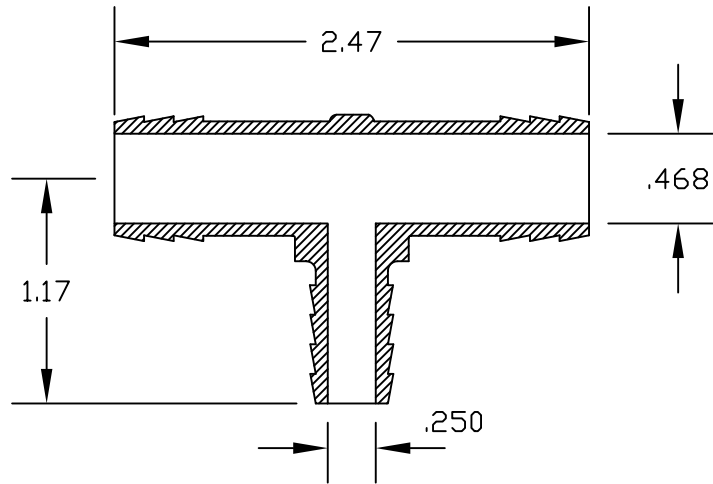


REV	DESCRIPTION	DATE	APPROVED
A	REDRAWN & RELEASED	5/98	5/98
B	UPDATE DRAWING	6/00	BM



UNLESS OTHERWISE SPECIFIED
DIMENSIONS ARE IN INCHES
TOLERANCES
DECIMALS ANGULAR
.XX +/- .05 +/- .5
.XXX +/- .015

PART NAME:

3/8 BARB X 5/8 BARB X 5/8 BARB TEE

THOGUS
PRODUCTS

33597 PIN OAK PARKWAY
AVON LAKE OHIO 44012

DRAWN **BM** DATE 6/00

filename: 961010na

PART NUMBER

TT-961010

REV **B**

MATERIAL SEE NOTE

SCALE 1:1

SHEET 1 OF 1

CONFIDENTIAL
THIS PRINT AND THE SPECIFICATIONS ARE THE PROPERTY OF THOGUS PRODUCTS COMPANY AND HAVE BEEN ISSUED WITH THE UNDERSTANDING THAT IT WILL NOT BE REPRODUCED, REVEALED TO OR USED FOR THE MANUFACTURE FOR OTHERS AND WILL BE RETURNED UPON REQUEST. ⚡