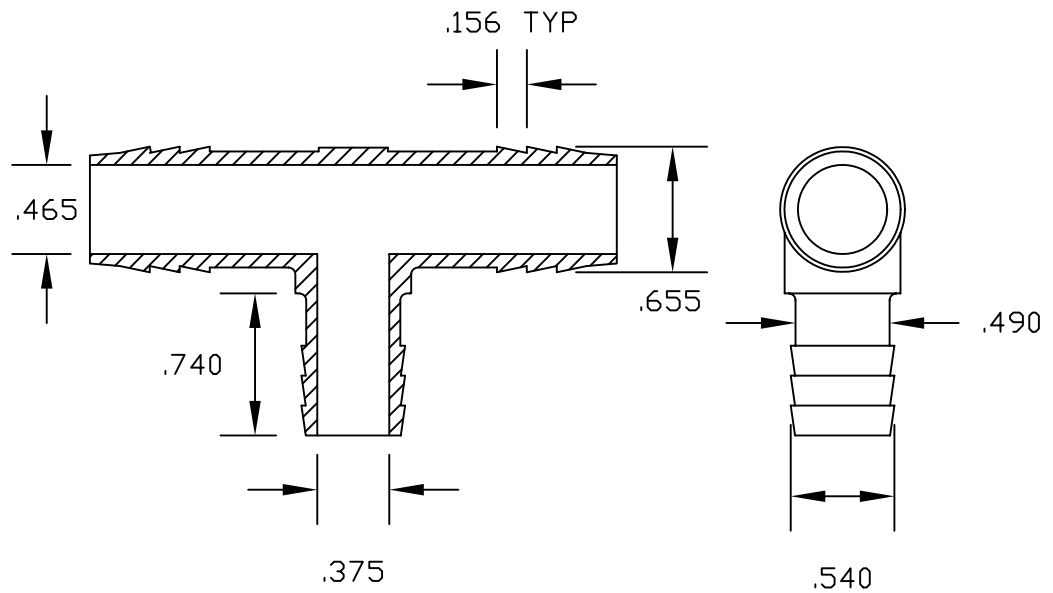
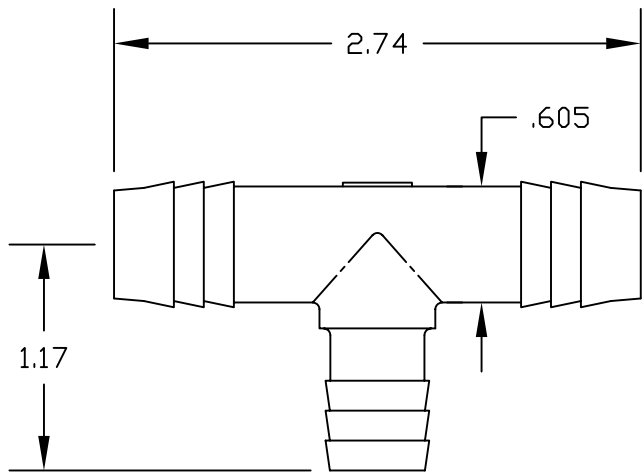


REV	DESCRIPTION	DATE	APPROVED
A	REDRAWN & RELEASED	10/97	10/97
B	MODIFIED 5/8" BARBS	08/01	08/01



UNLESS OTHERWISE SPECIFIED
DIMENSIONS ARE IN INCHES
TOLERANCES
DECIMALS ANGULAR
.XX +/- .05 +/- .05
.XXX +/- .015

PART NAME:

1/2 BARB X 5/8 BARB X 5/8 BARB TEE

THOGUS
PRODUCTS

33597 PIN OAK PARKWAY
AVON LAKE OHIO 44012

DRAWN

BM

filename:

981010

MATERIAL

SEE NOTE

SIZE

PART NUMBER

TT-981010

REV

B

SCALE 1:1

SHEET 1 OF 1

CONFIDENTIAL
THIS PRINT AND THE SPECIFICATIONS ARE THE PROPERTY OF THOGUS PRODUCTS COMPANY AND HAVE BEEN ISSUED WITH THE UNDERSTANDING THAT IT WILL NOT BE REPRODUCED, REVEALED TO OR USED FOR THE MANUFACTURE FOR OTHERS AND WILL BE RETURNED UPON REQUEST. ⚡