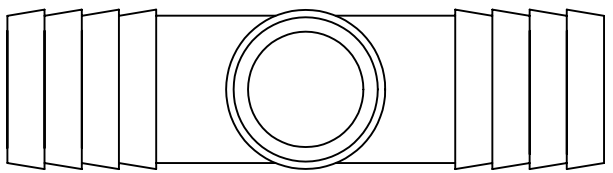
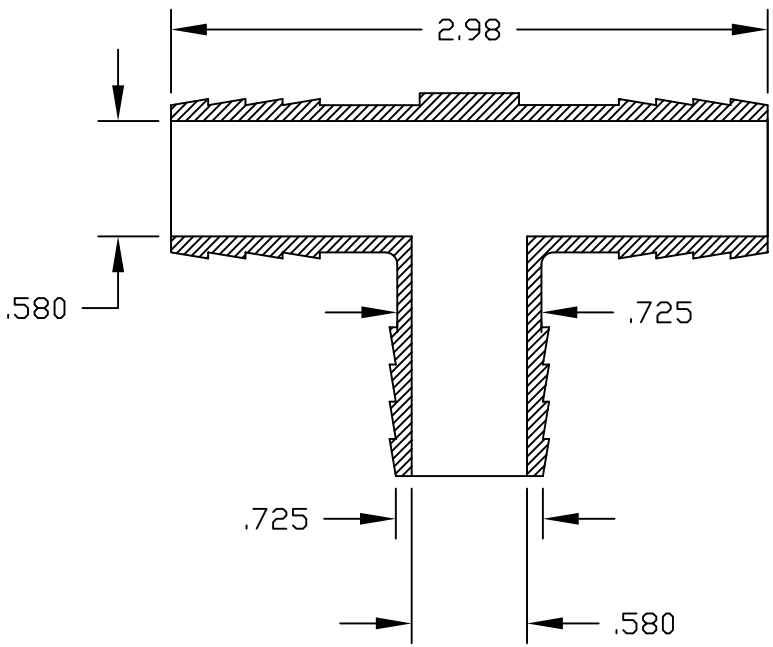
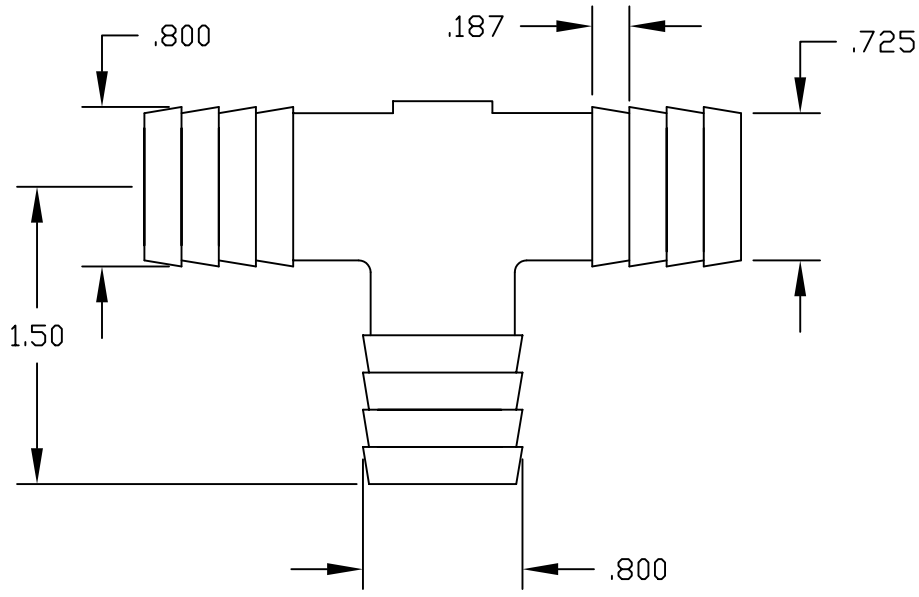


REVISIONS				
ZONE	REV	DESCRIPTION	DATE	APPROVED
	A	REDRAWN & RELEASED	4/98	4/98
	B	GATE PAD ADDED	9/98	9/98



**CONFIDENTIAL**  
 THIS PRINT AND THE SPECIFICATIONS ARE THE PROPERTY OF THOGUS PRODUCTS COMPANY AND HAVE BEEN ISSUED WITH THE UNDERSTANDING THAT IT WILL NOT BE REPRODUCED, REVEALED TO OR USED FOR THE MANUFACTURE FOR OTHERS AND WILL BE RETURNED UPON REQUEST.

UNLESS OTHERWISE SPECIFIED DIMENSIONS ARE IN INCHES  
 TOLERANCES  
 DECIMALS ANGULAR  
 .XX +/- .05 +/- .05  
 .XXX +/- .015

DRAWN NM DATE 4/98  
 FILENAME: 9121212n  
 MATERIAL SEE NOTE

Part Name:  
 3/4 BARB X 3/4 BARB X 3/4 BARB TEE

**THOGUS PRODUCTS** 33597 PIN OAK PARKWAY  
 AVON LAKE OHIO 44012

Part Number  
 TT-9121212

SCALE 1:1

SHEET 1 OF 1

REV B

THIS DRAWING MAY BE USED IN WHOLE OR PART PROVIDED THE ORIGINAL DRAWER'S NAME IS CLEARLY INDICATED AT ANY REPRODUCTION.