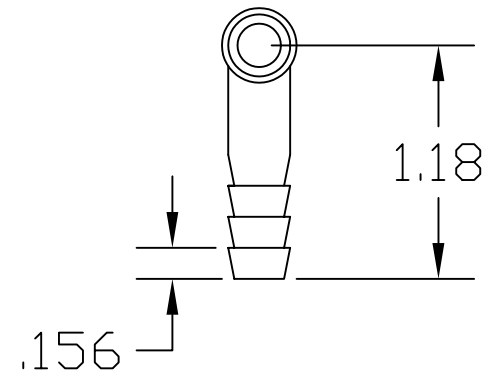
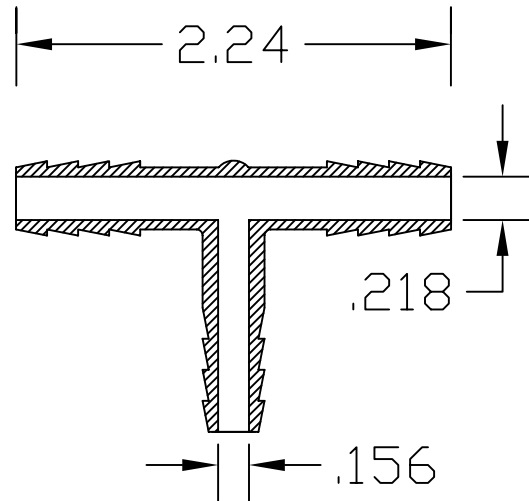
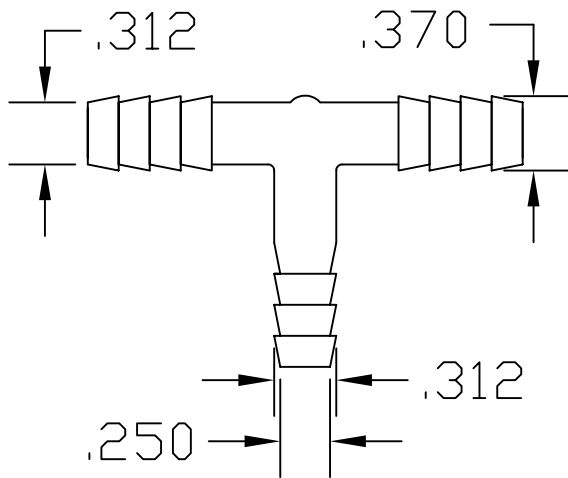


REVISIONS				
ZONE	REV	DESCRIPTION	DATE	APPROVED
	A	DRAWN & RELEASED	5/98	5/98



UNLESS OTHERWISE SPECIFIED DIMENSIONS ARE IN INCHES	
TOLERANCES	
DECIMALS	ANGULAR
.XX +/- .05	+/- .5
.XXX +/- .015	
DRAWN	DATE
NM	5/98
FILENAME:	Part Number
9455na	TT-9455/N
MATERIAL	SCALE
NYLON	1:1

Part Name:	
1/4 BARB X 5/16 BARB X 5/16 BARB TEE	
THOGUS 33597 PIN OAK PARKWAY	
PRODUCTS AVON LAKE OHIO 44012	
Part Number	REV
TT-9455/N	A
SHEET	OF
1	1

THIS DRAWING MAY BE USED IN WHOLE OR IN PART WITHOUT THE WRITTEN CONSENT OF THOGUS PRODUCTS, INC.