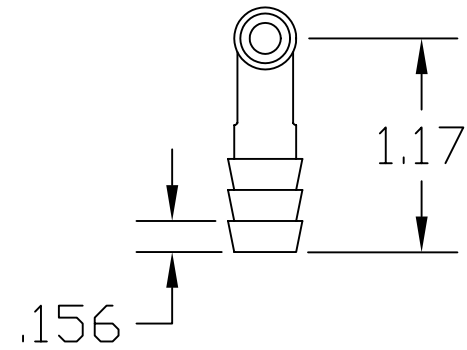
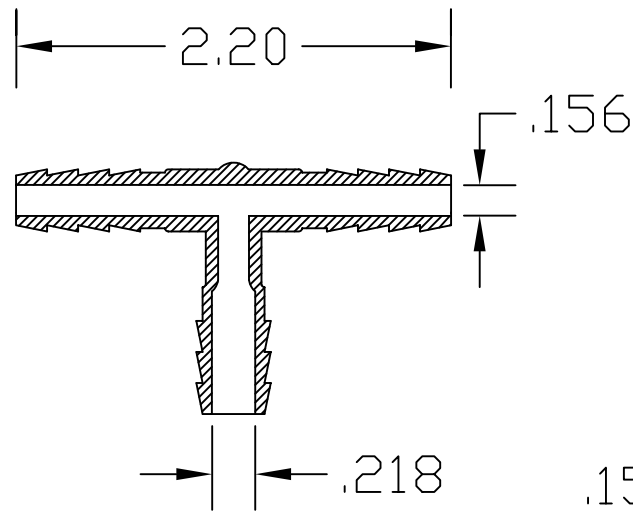
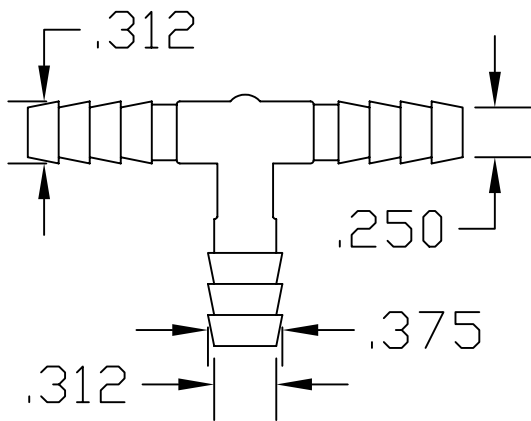


REVISIONS				
ZONE	REV	DESCRIPTION	DATE	APPROVED
	A	RELEASED	5/97	5/97



UNLESS OTHERWISE SPECIFIED
DIMENSIONS ARE IN INCHES
TOLERANCES
DECIMALS ANGULAR
.XX +/- .05 +/- .5
.XXX +/- .015

DRAWN NM DATE 3/97

FILENAME: 9544n

MATERIAL SEE NOTE

Part Name:
5/16 BARB X 5/16 BARB X 5/16 BARB TEE

THOGUS PRODUCTS 33597 PIN OAK PARKWAY
AVON LAKE OHIO 44012

Part Number: TT-9544

SCALE 1:1 SHEET 1 OF 1

REV A

THIS DRAWING MAY BE USED AS A GUIDE ON PARTS PRODUCED BY THOGUS PRODUCTS & IS NOT TO BE USED AS A SUBSTITUTE FOR ANY SPECIFICATION.