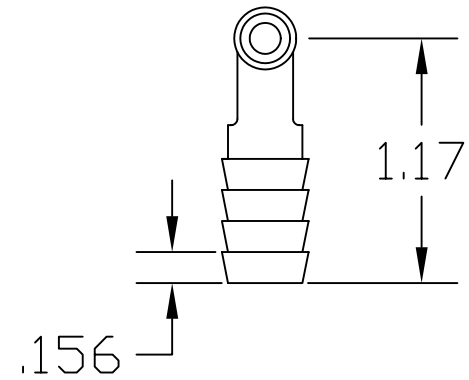
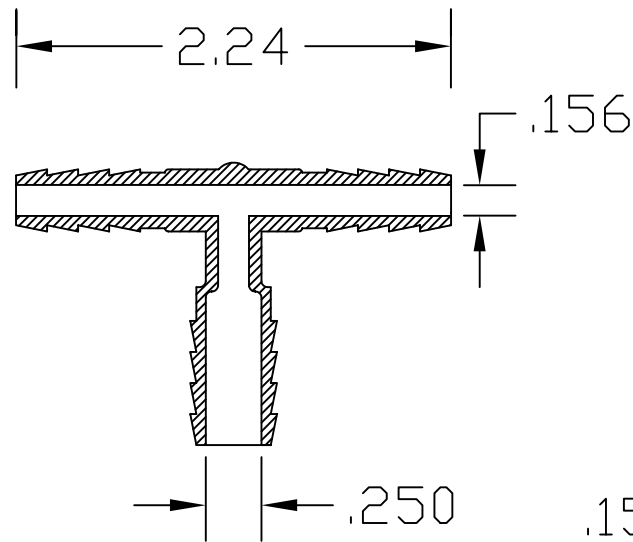
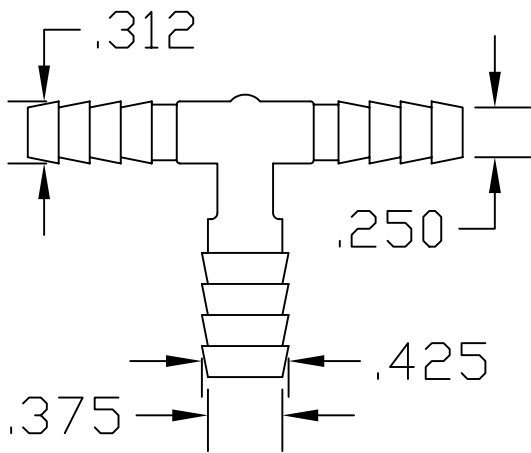


REVISIONS				
ZONE	REV	DESCRIPTION	DATE	APPROVED
	A	RELEASED	5/98	5/98



UNLESS OTHERWISE SPECIFIED
DIMENSIONS ARE IN INCHES
TOLERANCES
DECIMALS ANGULAR
.XX +/- .05 +/- .5
.XXX +/- .015

Part Name:
3/8 BARB X 1/4 BARB X 1/4 BARB TEE

THOGUS 33597 PIN OAK PARKWAY
PRODUCTS AVON LAKE OHIO 44012

DRAWN NM DATE 5/98

FILENAME: 9644na

Part Number TT-9644 REV A

MATERIAL SEE NOTE

SCALE 1:1 SHEET 1 OF 1

THIS DRAWING MAY BE USED IN WHOLE OR IN PART WITHOUT THE WRITTEN CONSENT OF THOGUS PRODUCTS, INC.