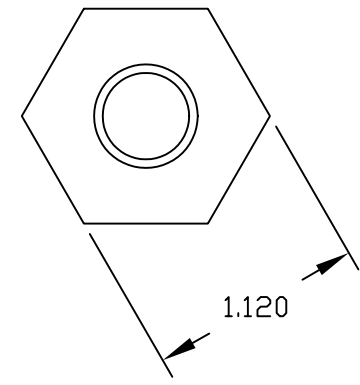
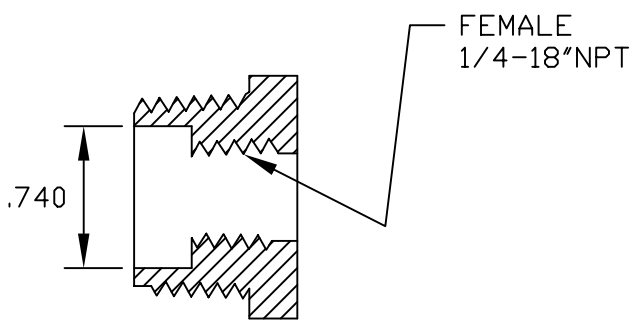
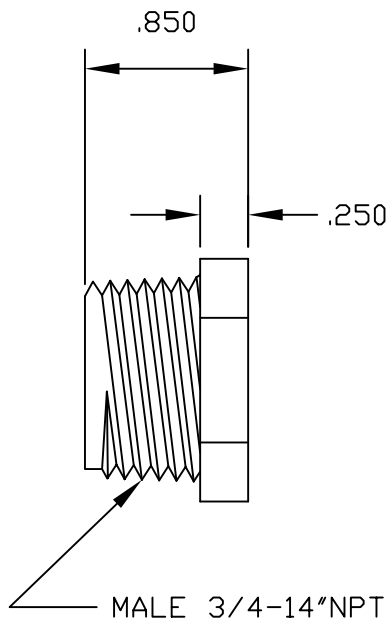


REV	DESCRIPTION	DATE	APPROVED
A	DRAWN	05/02	05/02



UNLESS OTHERWISE SPECIFIED
DIMENSIONS ARE IN INCHES
TOLERANCES
DECIMALS ANGULAR
.XX +/- .05 +/- 0.5
.XXX +/- .015

PART NAME: 3/4NPT MALE X 1/4NPT FEMALE
REDUCER BUSHING

CONFIDENTIAL
THIS PRINT AND THE SPECIFICATIONS
ARE THE PROPERTY OF THOGUS
PRODUCTS COMPANY AND HAVE BEEN
ISSUED WITH THE UNDERSTANDING THAT
IT WILL NOT BE REPRODUCED,
REVEALED TO OR USED FOR THE
MANUFACTURE FOR OTHERS AND WILL
BE RETURNED UPON REQUEST. ⚡

DRAWN **BM** | DATE 4/02

THOGUS PRODUCTS 33597 PIN OAK PARKWAY
AVON LAKE OHIO 44012

filename:

PART NUMBER **TRB3414** | REV **A**

MATERIAL
SEE NOTE

SCALE 1:1 | SHEET 1 OF 1