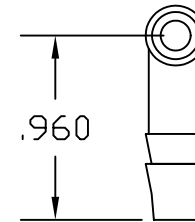
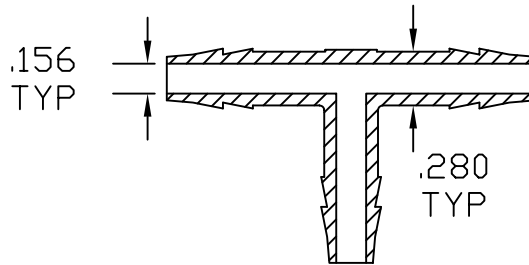
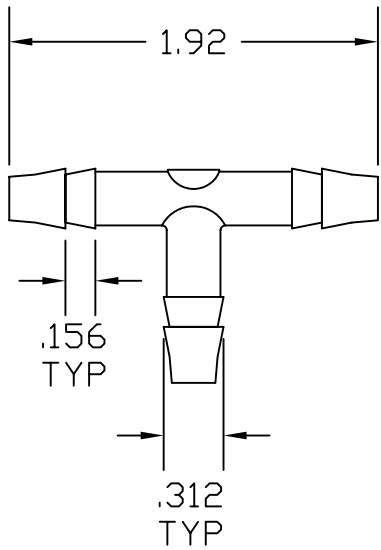


REVISIONS			
REV	DESCRIPTION	DATE	APPROVED
D	MODIFY BARBS	12/02	12/02



UNLESS OTHERWISE SPECIFIED DIMENSIONS ARE IN INCHES TOLERANCES		PART NAME	
DECIMALS	ANGULAR	1/4 BARB X 1/4 BARB X 1/4 BARB TEE	
.XX +/- .05	+/- 0.5	THOGUS PRODUCTS 33597 PIN OAK PARKWAY	
.XXX +/- .015		AVON LAKE OHIO 44012	
DRAWN NM	DATE 9/96	Part Number	REV D
FILENAME: 9444na		TT-9444	
MATERIAL SEE NOTE	SCALE 1:1	SHEET 1 OF 1	

THIS DRAWING AND ALL RIGHTS IN IT ARE RESERVED BY THOGUS PRODUCTS, INC. 12/02/02