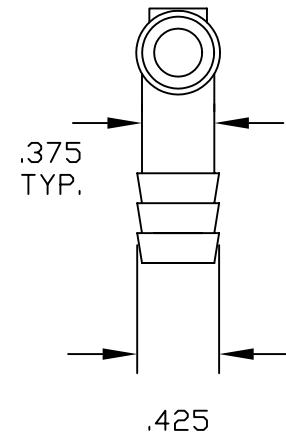
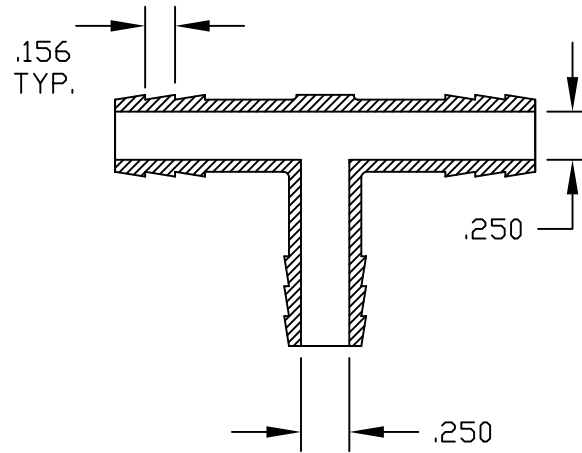
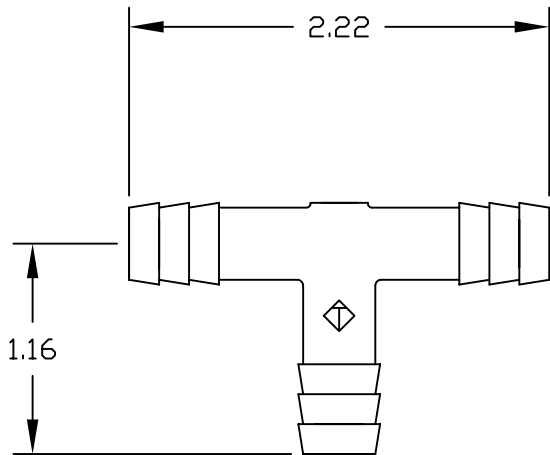


REVISIONS			
REV	DESCRIPTION	DATE	APPROVED
A	REDRAWN & RELEASED	4/98	4/98
B	◇ ADDED	6/98	6/98
C	UPDATE DRAWING	3/22/00	BM



**CONFIDENTIAL**  
 THIS PRINT AND THE SPECIFICATIONS ARE THE PROPERTY OF THOGUS PRODUCTS COMPANY AND HAVE BEEN ISSUED WITH THE UNDERSTANDING THAT IT WILL NOT BE REPRODUCED, REVEALED TO OR USED FOR THE MANUFACTURE FOR OTHERS AND WILL BE RETURNED UPON REQUEST. ⚡

UNLESS OTHERWISE SPECIFIED  
 DIMENSIONS ARE IN INCHES  
 TOLERANCES  
 DECIMALS .XX +/- .05 ANGULAR +/- .5  
 .XXX +/- .015  
 DRAWN NM DATE 4/98  
 FILENAME: 9666na  
 MATERIAL SEE NOTE

Part Name:  
 3/8 BARB X 3/8 BARB X 3/8 BARB TEE  
**THOGUS PRODUCTS** 33597 PIN OAK PARKWAY  
 AVON LAKE OHIO 44012  
 Part Number TT-9666  
 SCALE 1:1 SHEET 1 OF 1  
 REV C