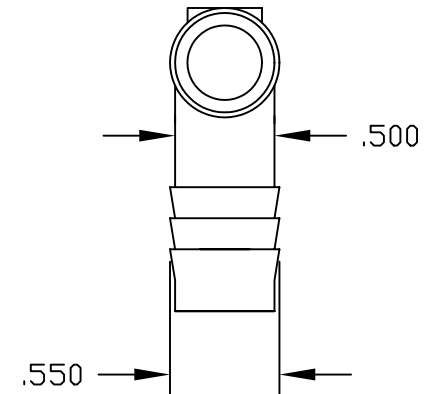
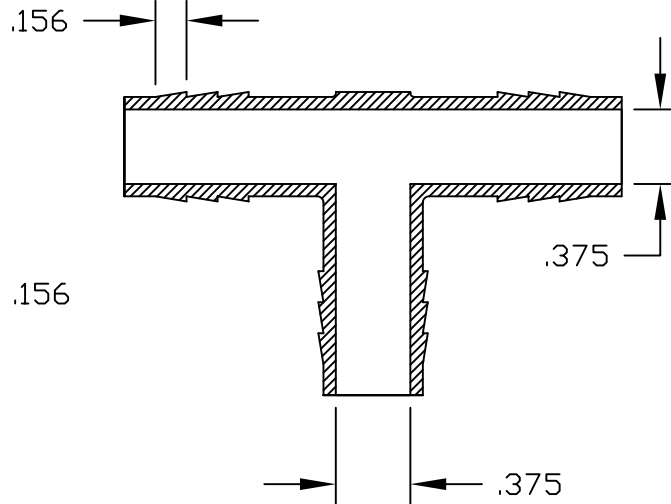
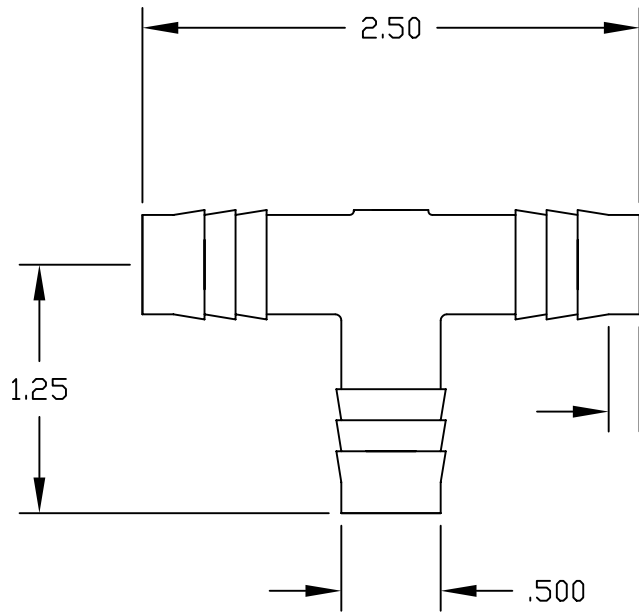


REVISIONS				
ZONE	REV	DESCRIPTION	DATE	APPROVED
	A	REDRAWN & RELEASED	2/98	2/98
	B	.375 GATE PAD WAS .187	3/98	3/98



UNLESS OTHERWISE SPECIFIED
DIMENSIONS ARE IN INCHES

TOLERANCES	
DECIMALS	ANGULAR
.XX +/- .05	+/- .05
.XXX +/- .015	

Part Name:
1/2 BARB X 1/2 BARB X 1/2 BARB TEE

THOGUS PRODUCTS 33597 PIN OAK PARKWAY
AVON LAKE OHIO 44012

CONFIDENTIAL
THIS PRINT AND THE SPECIFICATIONS
ARE THE PROPERTY OF THOGUS
PRODUCTS COMPANY AND HAVE BEEN
ISSUED WITH THE UNDERSTANDING THAT
IT WILL NOT BE REPRODUCED,
REVEALED TO OR USED FOR THE
MANUFACTURE FOR OTHERS AND WILL
BE RETURNED UPON REQUEST. ◀

DRAWN NM DATE 2/98

FILENAME: 9888n

MATERIAL SEE NOTE

Part Number TT-9888

SCALE 1:1 SHEET 1 OF 1

REV B