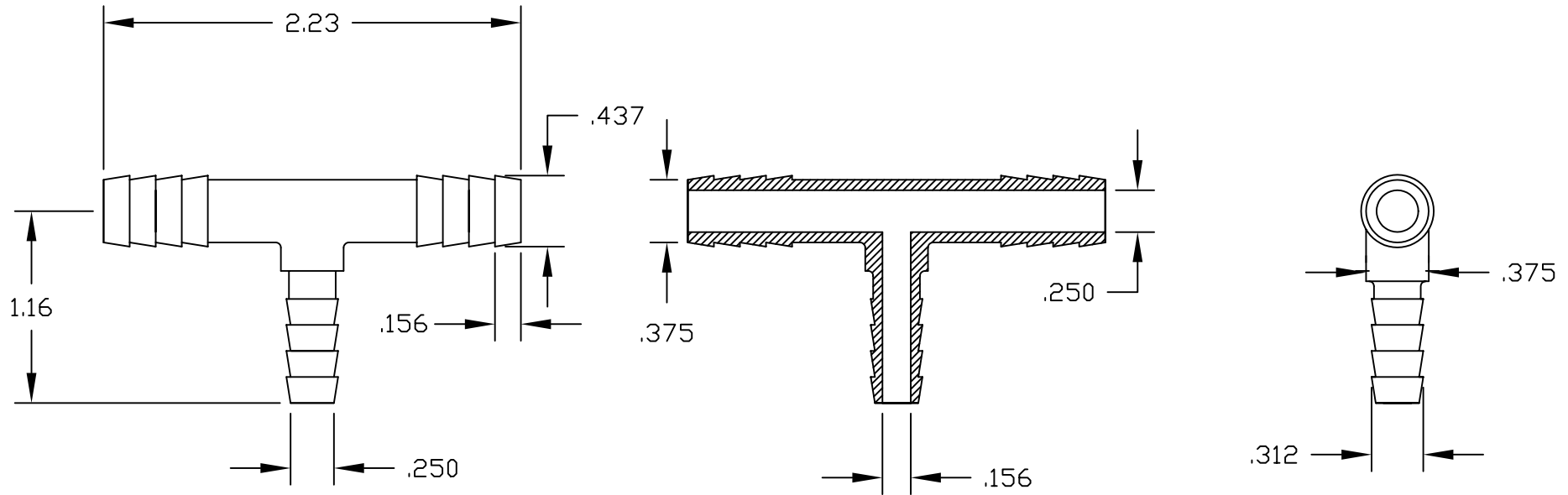


REVISIONS				
ZONE	REV	DESCRIPTION	DATE	APPROVED
	A	REDRAWN & RELEASED	4/98	4/98



UNLESS OTHERWISE SPECIFIED  
DIMENSIONS ARE IN INCHES  
TOLERANCES  
DECIMALS ANGULAR  
.XX +/- .05 +/- .05  
.XXX +/- .015

Part Name:  
1/4 BARB X 3/8 BARB X 3/8 BARB TEE

**THOGUS PRODUCTS** 33597 PIN OAK PARKWAY  
AVON LAKE OHIO 44012

**CONFIDENTIAL**  
THIS PRINT AND THE SPECIFICATIONS  
ARE THE PROPERTY OF THOGUS  
PRODUCTS COMPANY AND HAVE BEEN  
ISSUED WITH THE UNDERSTANDING THAT  
IT WILL NOT BE REPRODUCED,  
REVEALED TO OR USED FOR THE  
MANUFACTURE FOR OTHERS AND WILL  
BE RETURNED UPON REQUEST.

DRAWN NM DATE 4/98  
FILENAME: 9466n  
MATERIAL SEE NOTE

Part Number TT-9466 REV A  
SCALE 1:1 SHEET 1 OF 1

THIS DRAWING MAY BE USED AS LONG AS FULL CREDIT IS GIVEN TO THOGUS PRODUCTS COMPANY AND IT IS NOT REPRODUCED OR  
DISTRIBUTED WITHOUT THE WRITTEN PERMISSION OF THOGUS PRODUCTS COMPANY.