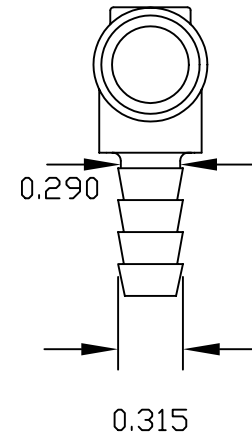
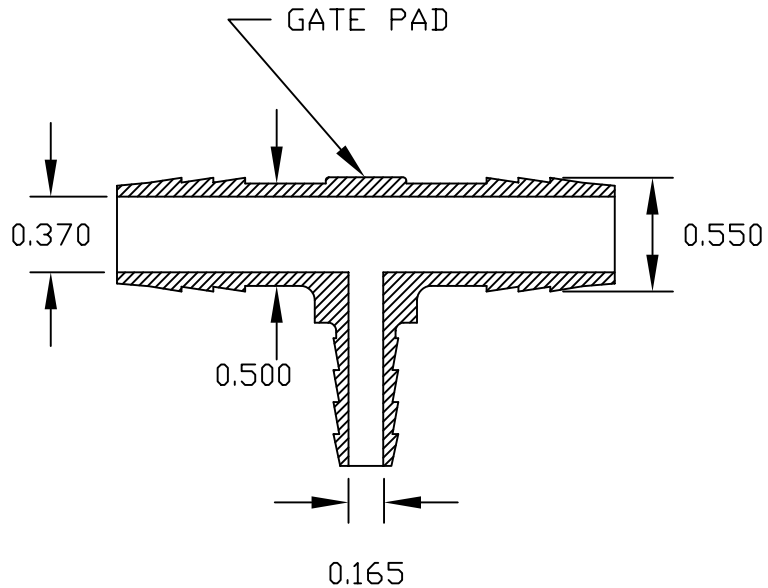
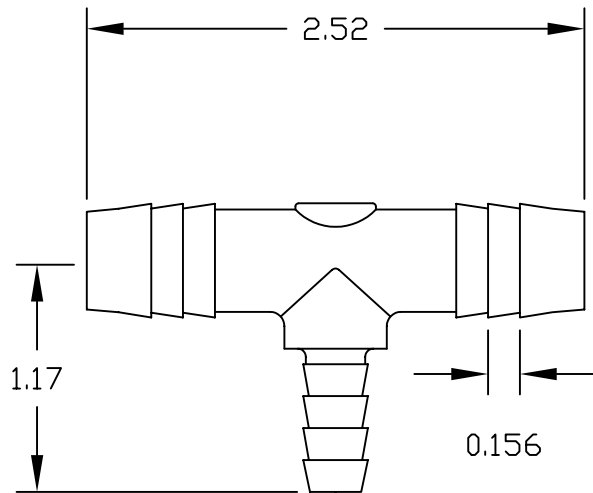


REV	DESCRIPTION	DATE	APPROVED
A	REDRAWN & RELEASED	3/98	3/98
B	LEAD BARB ADDED	9/99	9/99
C	REDRAWN & DIM.	12/28/99	BM



UNLESS OTHERWISE SPECIFIED
DIMENSIONS ARE IN INCHES
TOLERANCES
DECIMALS ANGULAR
.XX +/- .05 +/- 0.5
.XXX +/- .015

PART NAME:

1/4 BARB X 1/2 BARB X 1/2 BARB TEE

**THOGUS
PRODUCTS**

33597 PIN OAK PARKWAY
AVON LAKE OHIO 44012

DRAWN **BM** | DATE 12/99

filename: 9488n

PART NUMBER

TT-9488

REV
C

MATERIAL **SEE NOTE**

SCALE 1:1

SHEET 1 OF 1

CONFIDENTIAL
THIS PRINT AND THE SPECIFICATIONS
ARE THE PROPERTY OF THOGUS
PRODUCTS COMPANY AND HAVE BEEN
ISSUED WITH THE UNDERSTANDING THAT
IT WILL NOT BE REPRODUCED,
REVEALED TO OR USED FOR THE
MANUFACTURE FOR OTHERS AND WILL
BE RETURNED UPON REQUEST. ⚡