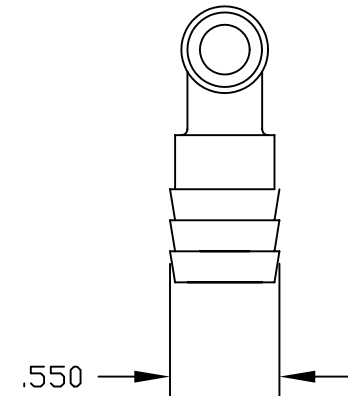
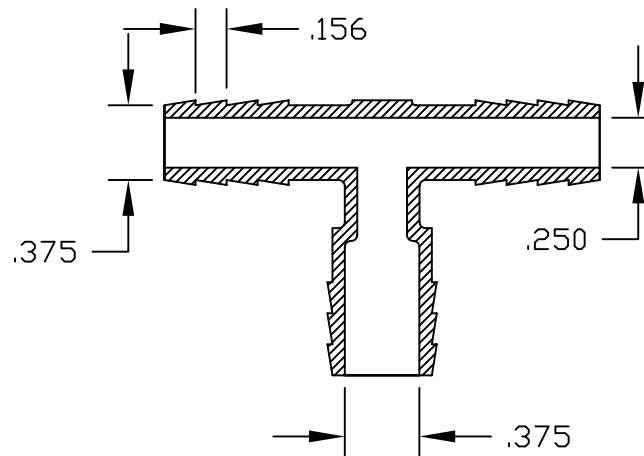
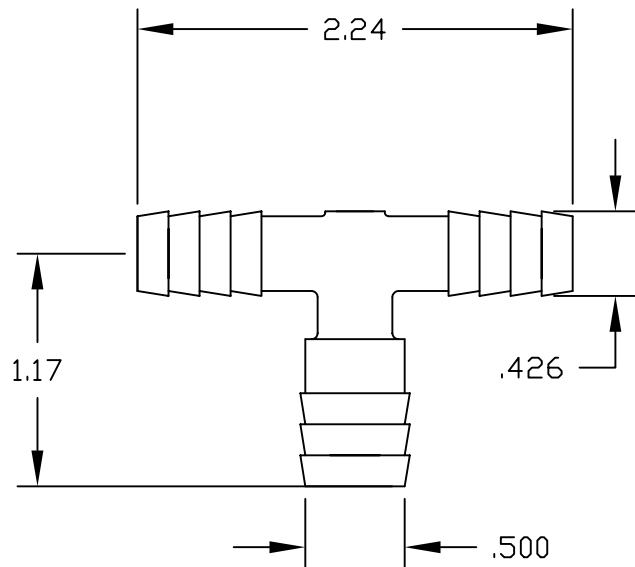


REVISIONS				
ZONE	REV	DESCRIPTION	DATE	APPROVED
	A	REDRAWN & RELEASED	5/98	5/98



UNLESS OTHERWISE SPECIFIED
DIMENSIONS ARE IN INCHES
TOLERANCES
DECIMALS ANGULAR
.XX +/- .05 +/- 0.5
.XXX +/- .015

Part Name:
1/2 BARB X 3/8 BARB X 3/8 BARB TEE

CONFIDENTIAL
THIS PRINT AND THE SPECIFICATIONS
ARE THE PROPERTY OF THOGUS
PRODUCTS COMPANY AND HAVE BEEN
ISSUED WITH THE UNDERSTANDING THAT
IT WILL NOT BE REPRODUCED,
REVEALED TO OR USED FOR THE
MANUFACTURE FOR OTHERS AND WILL
BE RETURNED UPON REQUEST.

DRAWN NM DATE 5/98

THOGUS PRODUCTS 33597 PIN OAK PARKWAY
AVON LAKE OHIO 44012

FILENAME:
9866na

Part Number
TT-9866

REV
B

MATERIAL
SEE NOTE

SCALE 1:1

SHEET 1 OF 1

THIS DRAWING MAY BE USED IN WHOLE OR IN PART WITHOUT THE WRITTEN CONSENT OF THOGUS PRODUCTS COMPANY IF ANY REVISIONS ARE