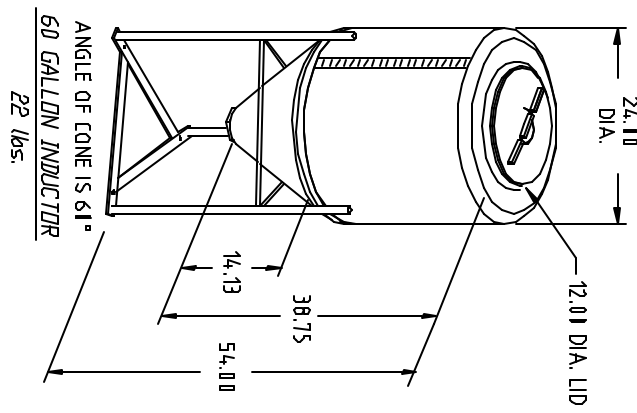
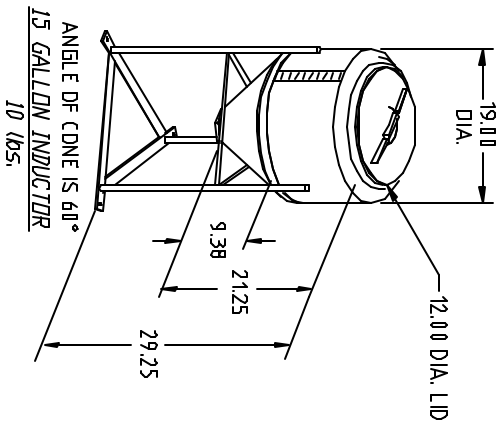
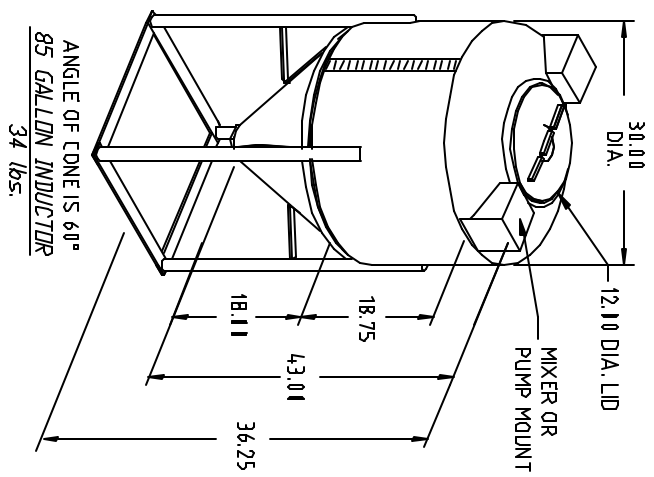
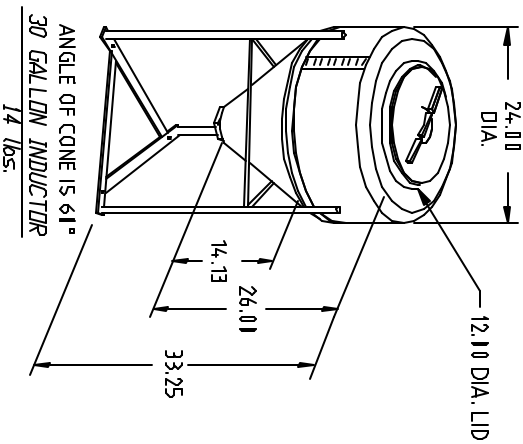


15-30 INDUCTOR



REV	DESCRIPTION	DATE	APPRD

DRAWN / DATE	REH / 6/14/99
APPRD. / DATE	REH / 6/14/99

MATERIAL	MOBIL 134
NOTES:	

ALL DIMENSIONS ARE IN DECIMAL INCHES
TOLERANCES UNLESS OTHERWISE SPECIFIED
+ .5% @ 68° F



CLIENT / DESCRIPTION
15 - 85 GAL. INDUCTOR TANKS

SCALE N.S.

PART NO.
15 - 85 GAL. INDUCTOR TANKS

ACE ROTO MOLD

A DIVISION OF DEN HARTOG INDUSTRIES, INC.
4018 HWY. 80 BLVD. BOX 421, HOSPER, IOWA 51238