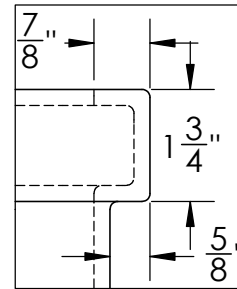
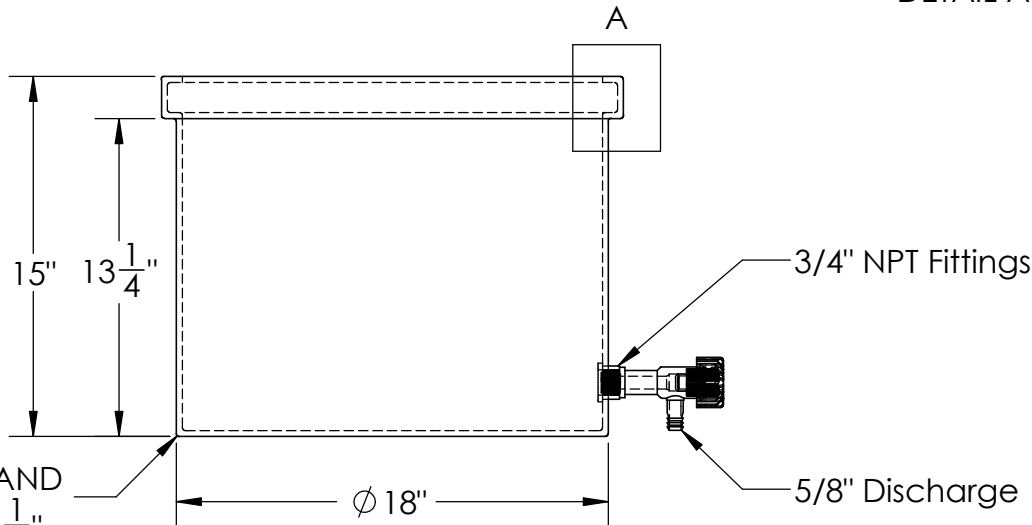
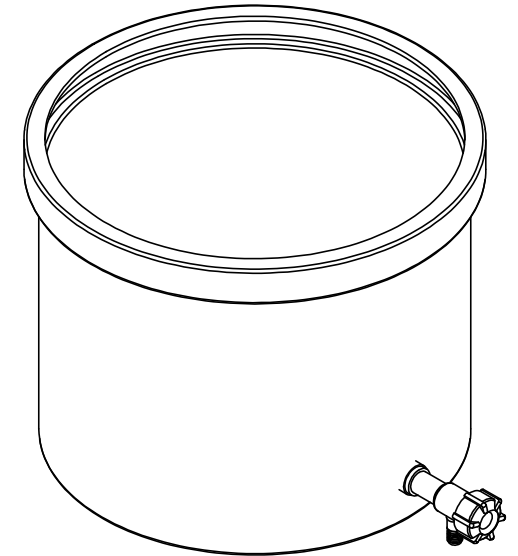


Catalog options:
Cover #3021, Floating Cover #3014, Tank Stand #5061



DETAIL A



ALL FILLETS AND
ROUNDS R $\frac{1}{8}$ "

Heavy Weight Polyethylene
Calibrated Tank with Spigot
#3067



1390 Neubrecht Road
Lima, Ohio 45801

STOCK NO. **3067** REV **A**

DO NOT SCALE DRAWING

WEIGHT: 12 lbs.

DIMENSIONS ARE IN INCHES TOLERANCE: $\pm 1/4$ "		NAME	DATE
MATERIAL LLDPE - FDA resin		DRAWN	CDH 07/07/16
CAPACITY 14 US gal.		REVISION	NJV 12/3/25
GRADUATIONS 2 US gal.		COMMENTS: Translucent UV Stabilized	
NOMINAL WALL THICKNESS 1/4"			

PROPRIETARY AND CONFIDENTIAL
THE INFORMATION CONTAINED IN THIS
DRAWING IS THE SOLE PROPERTY OF
TAMCO. ANY REPRODUCTION IN PART
OR AS A WHOLE WITHOUT THE WRITTEN
PERMISSION OF TAMCO IS PROHIBITED.

MAX. OPERATING TEMP. 140°F
INTERMITTENT SERVICE TO 160°F
SEE CHEMICAL RESISTANCE
CHART FOR COMPATABILITY